

4

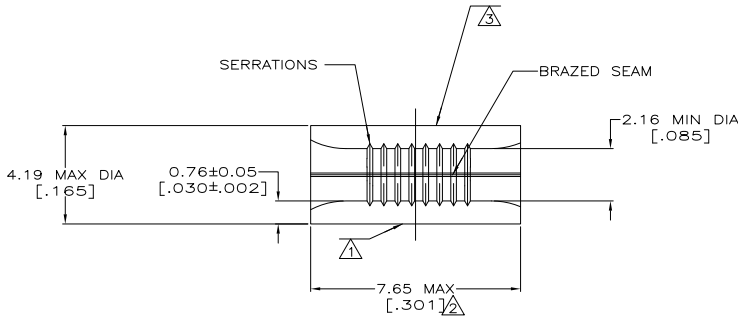
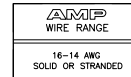
3

2

1

THIS DRAWING IS UNPUBLISHED. RELEASED FOR PUBLICATION
 © COPYRIGHT BY TYCO ELECTRONICS CORPORATION. ALL INTERNATIONAL RIGHTS RESERVED.

LOC	DIST	REVISIONS			
P	LTR	DESCRIPTION	DATE	BY	APPD
G	14				
	C2	REV PER EDR 10-007551	09APR10	JR	TM



- △ STAMP "AMP 16-14 2 1/2-4" APPROX AS SHOWN
- △ MAXIMUM LENGTH DOES NOT INCLUDE MANUFACTURING TABS
- △ WIRE BARREL COLOR CODED ORANGE TO DENOTE NICKEL MATERIAL
- △ NO COLOR CODING
- △ NICKEL PER ASTM B-162, ANNEALED

1000	LOOSE PIECE	△4	1-322347-0
1000	LOOSE PIECE	△3	322347
QTY	PACKAGE TYPE	PART NO.	

CUSTOMER SERVICE SYSTEMS	
FOR ADDITIONAL PRODUCT INFORMATION OR COPIES OF DRAWINGS AND TECHNICAL DOCUMENTS	PRODUCT INFORMATION CENTER 1-800-522-6752
FOR APPLICATION	TOOLING ASSISTANCE CENTER
TOOLING INFORMATION	1-800-722-1111
FOR ORDER ENTRY	1-800-526-5142

MAX RECOMMENDED OPERATING TEMPERATURE: 64°C MAX	VOLTAGE RATING: N/A	CIRCULAR MIL AREA: 1.04-2.62mm ² [2.050-5.180] SOLID OR STRANDED
--	------------------------	---

THIS DRAWING IS A CONTROLLED DOCUMENT.	
DIMENSIONS: MM [INCHES]	TOLERANCES UNLESS OTHERWISE SPECIFIED:
0 PLG ± .	1 PLG ± .
2 PLG ± .	3 PLG ± .
4 PLG ± .	ANGLES ± .
MATERIAL: - △	FINISH: -

DR: TA BRINKMAN 4-19-93	TYCO Electronics Corporation Harrisburg, PA 17105-3608
CR: DA PATTERSON 4-19-93	
APR: JIL MECKLEY 4-19-93	
NAME: JIL MECKLEY	SPLICE, PARALLEL, HIGH TEMPERATURE, STRATO-THERM
APPLICATION SPEC: -	SIZE: A2
REIGHT: -	CAGE CODE: 00779
CUSTOMER DRAWING	DRAWING NO: C=322347
SCALE: 10:1	SHEET: 1 of 1
REV: G2	RESTRICTED TO: -