

4

3

2

1

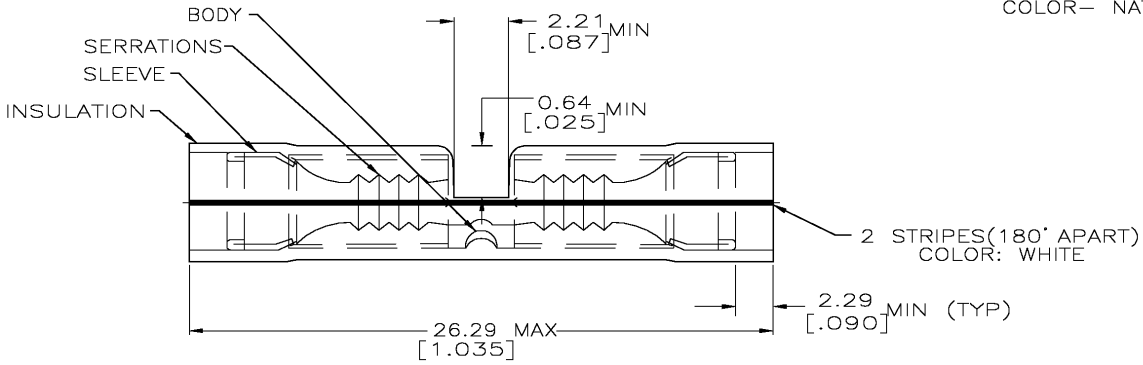
THIS DRAWING IS UNPUBLISHED. RELEASED FOR PUBLICATION
 © COPYRIGHT - BY TYCO ELECTRONICS CORPORATION. ALL RIGHTS RESERVED.

LOC	DIST	REVISIONS			
P	LTR	DESCRIPTION	DATE	DWN	APVD
G	14	K	REV PER 0G3A-0582-04	31AUG04	JR TM

AMP
WIRE RANGE

24-20 AWG
STRANDED

- 1 WIRE INSULATION DIA 1.02 [.040] TO 2.54 [.100].
- 2 FINISH: BODY AND SLEEVE: TIN/LEAD (93-7) PLATE PER ASTM B545. (3% MIN LEAD CONTENT)
- 3 MATERIAL: BODY AND SLEEVE, COPPER PER ASTM B152 INSULATION: PVF² COLOR- NATURAL



M7928/6-2 CLASS 2	2500	ON TAPE	53547-2
M7928/6-2 CLASS 1 & 2	1000	LOOSE PIECE	53547-1
MILITARY PART NUMBER & CLASS PER MIL-T-7928	QTY	PACKAGE TYPE	PART NO.

AMP INCORPORATED
CUSTOMER SERVICE SYSTEMS

MAX RECOMMENDED OPERATING TEMPERATURE: 150°C

VOLTAGE RATING: -

CIRCULAR MIL AREA: 0.16-0.85mm² [202-1,290] STRANDED

FOR ADDITIONAL PRODUCT INFORMATION OR COPIES OF DRAWINGS AND TECHNICAL DOCUMENTS: PRODUCT INFORMATION CENTER 1-800-522-6752

FOR APPLICATION TOOLING ASSISTANCE CENTER: TOOLING ASSISTANCE CENTER 1-800-722-1111

TOOLING INFORMATION: 1-800-722-1111

FOR ORDER ENTRY: 1-800-526-5142

THIS DRAWING IS A CONTROLLED DOCUMENT.

DIMENSIONS: MM [INCHES]

TOLERANCES UNLESS OTHERWISE SPECIFIED:

0 PLC	± -
1 PLC	± -
2 PLC	± 0.20[.008]
3 PLC	± -
4 PLC	± -
ANGLES	± -

MATERIAL: - 3 FINISH: - 2

9-28-93 S.S. GOULDEN
 9-28-93 R. HERSEY
 9-28-93 M. ELLIS

Tyco Electronics Corporation
Harrisburg, Pa 17105-3608

NAME: SPLICE, BUTT, PVF², P.I.D.G. WIRE SIZE: 24-20 AWG

PRODUCT SPEC: 108-11023

APPLICATION SPEC: -

WEIGHT: -

SIZE: A3 CAGE CODE: 00779 DRAWING NO: C-53547 RESTRICTED TO: -

CUSTOMER DRAWING SCALE: 1:1 SHEET: 1 OF 1 REV: K

AMP 1470-19 REV 31MAR2000