

4

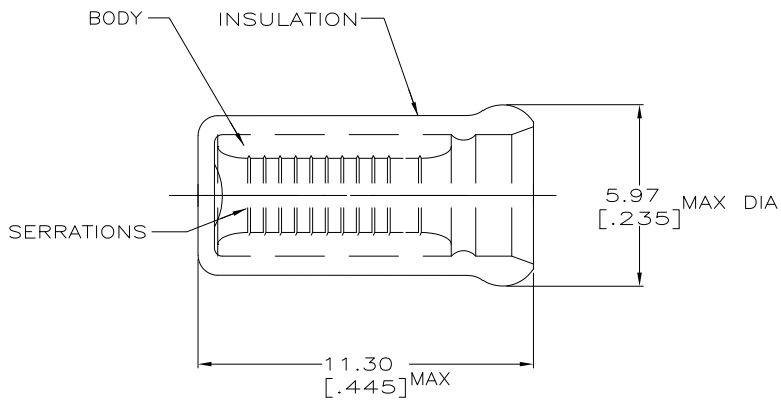
3

2

1

THIS DRAWING IS UNPUBLISHED. RELEASED FOR PUBLICATION
 © COPYRIGHT - By - ALL RIGHTS RESERVED.

LOC	DIST	REVISIONS			
P	LTR	DESCRIPTION	DATE	DWN	APVD
G	14	H1	REVISED PER ECO-11-004917	11MAR11	RK HMR



1. USE FOR STRIPPED (SINGLE) WIRE END ONLY
2. WIRE INSUL DIA, 3.78 [.149] MAX

-	100	LOOSE PIECE, BOX	8-328308-1
MS25274/3 CLASS 2	2500	ON TAPE, REEL	2-328308-1
MS25274/3 CLASS 1 & 2	1000	LOOSE PIECE	328308
MILITARY P/N & CLASS	QTY	PACKAGE TYPE	PART NO

AMP INCORPORATED CUSTOMER SERVICE SYSTEM		MAX RECOMMENDED OPERATING TEMPERATURE: 105°C [221°F]	THIS DRAWING IS A CONTROLLED DOCUMENT.		DWN L OLMEDA 21MAR96	TE Connectivity	
FOR ADDITIONAL PRODUCT INFORMATION OR COPIES OF DRAWINGS AND TECHNICAL DOCUMENTS	PRODUCT INFORMATION CENTER 1-800-522-6752	VOLTAGE RATING: -	DIMENSIONS: mm [in]	TOLERANCES UNLESS OTHERWISE SPECIFIED: 0 PLC ± - 1 PLC ± - 2 PLC ± 0.20 [0.008] 3 PLC ± - 4 PLC ± - ANGLES ± -	CHK M ELLIS 21MAR96	NAME K FERREK	
FOR APPLICATION TOOLING INFORMATION	TOOLING ASSISTANCE CENTER 1-800-722-1111	CIRCULAR MIL AREA: 1.04mm² - 2.62mm² [2,050 - 5,180]			APVD K FERREK 21MAR96	PRODUCT SPEC	
FOR ORDER ENTRY	1-800-526-5142		MATERIAL BODY, CU PER ASTM B152 INSUL, NYLON, COLOR, BLUE	FINISH BODY, TIN PLATE PER MIL-T-10727	APPLICATION SPEC	SIZE A3	CAGE CODE 00779
					WEIGHT -	DRAWING NO C-328308	RESTRICTED TO -
					CUSTOMER DRAWING	SCALE 8:1	SHEET 1 OF 1
						REV H1	

1470-19 (3/11)