

4

3

2

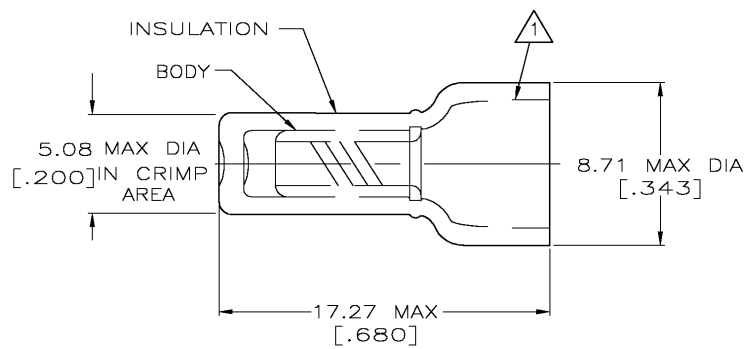
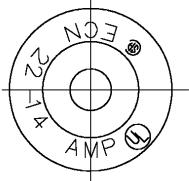
1

THIS DRAWING IS UNPUBLISHED. RELEASED FOR PUBLICATION  
 © COPYRIGHT - BY TYCO ELECTRONICS CORPORATION. ALL RIGHTS RESERVED.

LOC	DIST	REVISIONS			
P	LTR	DESCRIPTION	DATE	DWN	APVD
	D	REV PER OG3A-0256-04	08APR04	JR	TM

22-14 AWG SOLID OR STRANDED	22-14 AWG SOLID OR STRANDED	22-14 AWG SOLID OR STRANDED

- 1 FOR 6.35 [.250] MAX WIRE INSULATION DIA.
- 2 MATERIAL: BODY: COPPER  
INSULATION: NYLON  
COLOR: BLACK
- 3 BODY: TIN PER ASTM B-545
- 4 PRELIMINARY - NOT FOR PRODUCTION



2500	TAPE MOUNTED	1-55927-0	4
1000	LOOSE PIECE	55927-1	
QTY	DESCRIPTION	PART NO	

<b>AMP INCORPORATED CUSTOMER SERVICE SYSTEMS</b>		MAX RECOMMENDED OPERATING TEMPERATURE: 150° C	THIS DRAWING IS A CONTROLLED DOCUMENT.		DWN G KRUPER 1/93	Tyco Electronics Corporation Harrisburg, PA 17105		
FOR ADDITIONAL PRODUCT INFORMATION OR COPIES OF DRAWINGS AND TECHNICAL DOCUMENTS	PRODUCT INFORMATION CENTER 1-800-522-6752	VOLTAGE RATING: 300V MAX	DIMENSIONS: INCHES	TOLERANCES UNLESS OTHERWISE SPECIFIED: 0 PLC ± - 1 PLC ± - 2 PLC ± 0.20[.008] 3 PLC ± - 4 PLC ± - ANGLES ± -	CHK R HERSEY 1/93	NAME T MICHELUTTI 1/93		
FOR APPLICATION	TOOLING ASSISTANCE CENTER 1-800-722-1111	CIRCULAR MIL AREA: 0.26-2.62mm²[509-5180] SOLID OR STRANDED		MATERIAL	FINISH	PRODUCT SPEC -		
FOR ORDER ENTRY	1-800-526-5142	THIS DRAWING IS A CONTROLLED DOCUMENT FOR AMP INCORPORATED. IT IS SUBJECT TO CHANGE AND THE CONTROLLING ENGINEERING ORGANIZATION SHOULD BE CONTACTED FOR THE LATEST REVISION.		- 2	- 3	APPLICATION SPEC -	RESTRICTED TO -	
CUSTOMER DRAWING						SIZE A3	CAGE CODE 00779	DRAWING NO C-55927
						SCALE 2:1	SHEET 1	OF 1
						REV D		

AMP 1470-19 REV 31MAR2000