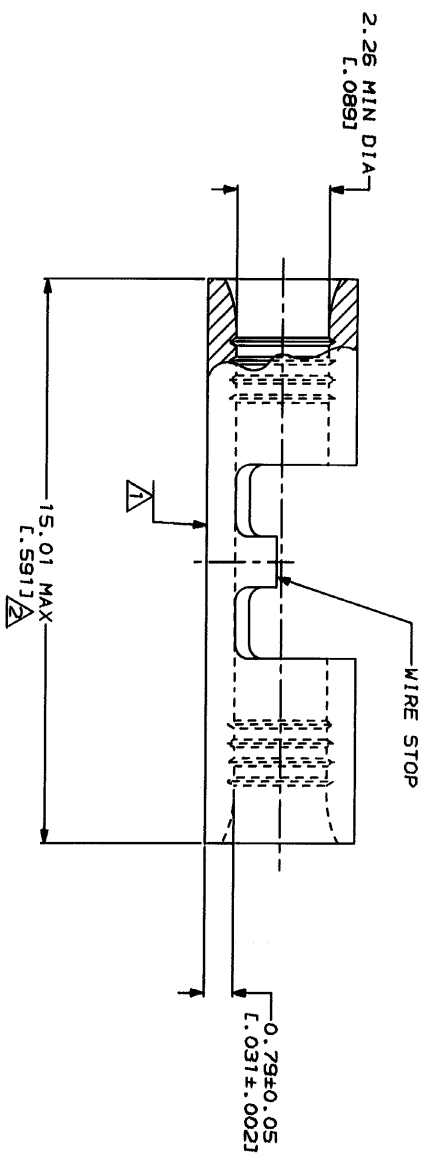
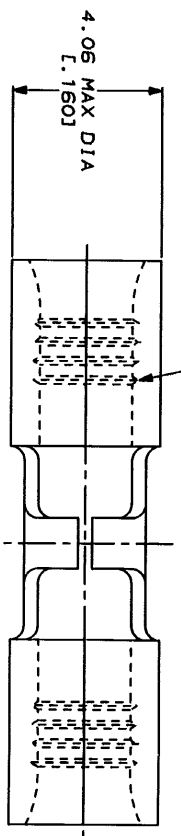


LOC	DATE	REVISIONS	DATE	APP'D
G	14			
A		REVISED PER 0720-0230-93	12/28/98	



WIRE RANGE	E13288 Listed
16-14 AWG STRANDED	16-14 AWG STRANDED
LR7189 Certified	MILITARY P/N AND CLASS
NOT CERTIFIED	NOT APPLICABLE

STAMP AMP 16-14* APPROX AS SHOWN
 MAXIMUM LENGTH DOES NOT INCLUDE
 MANUFACTURING TABS



AMP INCORPORATED CUSTOMER SERVICE SYSTEMS	
FOR ADDITIONAL PRODUCT INFORMATION OR COPIES OF DRAWINGS AND TECHNICAL DOCUMENTS	PRODUCT INFORMATION CENTER 1-800-522-6752
FOR APPLICATION TOOLING INFORMATION	TOOLING ASSISTANCE CENTER 1-800-722-1111
FOR ORDER ENTRY	1-800-526-5142
MAX RECOMMENDED OPERATING TEMPERATURE:	170°C MAX
VOLTAGE RATING:	NOT APPLICABLE
WIRE CROSS SECTIONAL AREA RANGE:	1.04-2.62mm ² [2.050-5.180] CIR MILS STRANDED

DO NOT SCALE PRINT. UNLESS SPECIFIED OTHERWISE— DIMENSIONS ON: 1 P/LC DEC ± .1 2 P/LC DEC ± .1 3 P/LC DEC ± .1 ANGLES RATERIAL	DR 3-1-83 TA BRINKMAN
FINISH 0.00254 [0.00100] MIN THK PER MIL-1-10727	CHK 3-1-83 DA PATTERSON
COPPER PER ASTM B-152 ANNEALED	APP'D 3-1-83 DE MILLER
TIN PLATE	APP'D J. WICKLEY
APPLICATION SPEC	PRODUCT SPEC
SIZE CASE CODE 00779	DRAWING NO 32464
SCALE 10:1	

AMP Incorporated
 Harrisburg, PA 17105-3508

**SPLICE, BUTT,
STRAP, BUDGET**

32464
PART NO

CUSTOMER DRAWING
 SHEET 1 OF 1