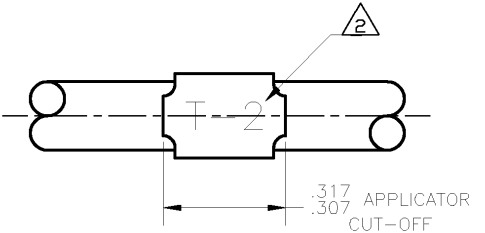
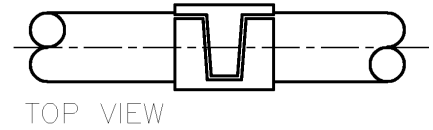
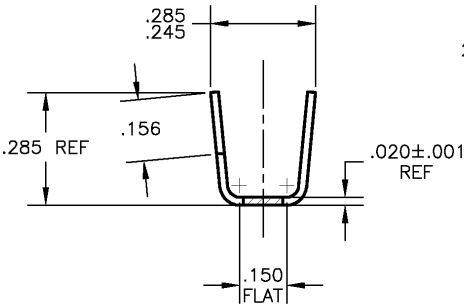
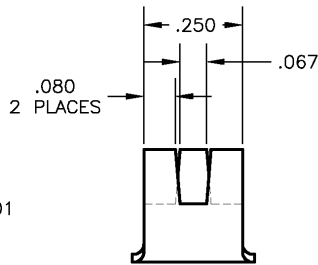
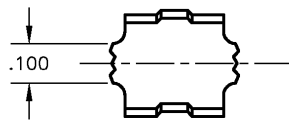


THIS DRAWING IS UNPUBLISHED. RELEASED FOR PUBLICATION  
 © COPYRIGHT 1989 BY TYCO ELECTRONICS CORPORATION. ALL RIGHTS RESERVED.

LOC	DIST	REVISIONS			
P	LTR	DESCRIPTION	DATE	DWN	APVD
AF	50	F	REDRAWN PER OGEA-0503-02	17SEP02	MF GP

1 CONTINUOUS STRIP ON REELS.

△ ALPHANUMERIC CODING MAY BE STAMPED IN THIS AREA IN APPLICATOR. CUSTOMER TO SPECIFY WHEN ORDERING. (1 - 3 DIGITS OR LETTERS)



.125-.220 DIA	41108
INSULATION RANGE	PART NUMBER

THIS DRAWING IS A CONTROLLED DOCUMENT.		DWN MICHAEL S. FEHER 17SEP2002	Tyco Electronics Corporation Harrisburg, PA 17105-3608	
DIMENSIONS: INCHES	TOLERANCES UNLESS OTHERWISE SPECIFIED:	CHK GARY PORTA 17SEP2002	NAME	
	0. PLC ± -	APVD GARY PORTA 17SEP2002	IDENTIFICATION BAND	
	1. PLC ± -	PRODUCT SPEC	-	
	2. PLC ± -	APPLICATION SPEC	-	
	3. PLC ± .010	WEIGHT	-	
MATERIAL 082 BRASS	FINISH -	4. PLC ± -	SIZE A3	CAGE CODE 00779
		ANGLES ± 1°	DRAWING NO C-41108	RESTRICTED TO -
		CUSTOMER DRAWING	SCALE 4:1	SHEET 1 OF 1
			REV F	

AMP 1470-19 REV 31MAR2000

H:\dmtecread\