

4

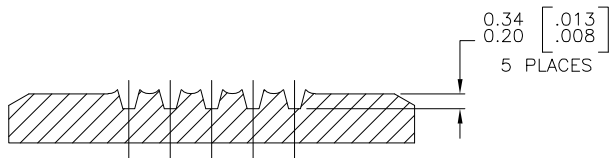
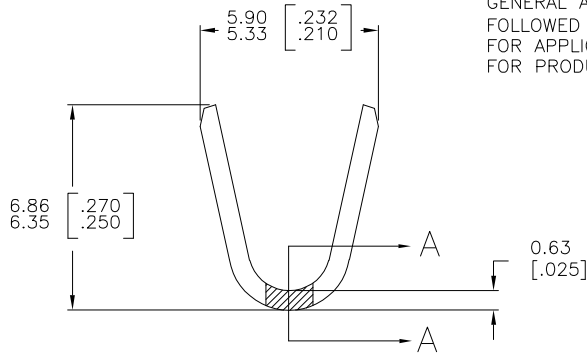
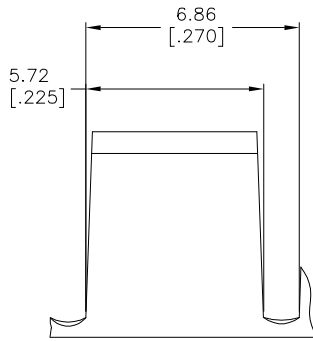
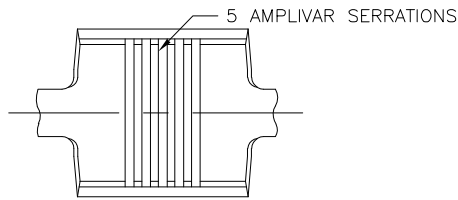
3

2

1

THIS DRAWING IS UNPUBLISHED. RELEASED FOR PUBLICATION
 © COPYRIGHT - BY TYCO ELECTRONICS CORPORATION. ALL RIGHTS RESERVED.

LOC	DIST	REVISIONS			
P	LTR	DESCRIPTION	DATE	DWN	APVD
AF	50	E1	ECR-06-023927 (REDRAWN IN AUTOCAD)	07JUL06	HMR GP



SECTION A-A
SCALE 20:1

- 1 CONTINUOUS STRIP ON REELS.
- 2 DIMENSIONS IN BRACKETS ARE IN INCHES.
- 3 FOR ADDITIONAL INFORMATION, SEE APPLICATION SPEC. 114-2009.
- 4 WIRE RANGE: 7000-13000 CMA.
- 5 CRIMP WIDTH: .180 F TYPE (AMPLIVAR THRU)
 CRIMP HEIGHT (± 0.002) = (TOTAL CMA + 23,000) / 312,500
 GENERAL APPLICATION GUIDELINES MUST BE FOLLOWED AS SPECIFIED IN CATALOG #82221
 FOR APPLICATOR INFORMATION CALL: 1-800-722-1111
 FOR PRODUCT INFORMATION CALL: 1-800-522-6752

41904
PART NO

THIS DRAWING IS A CONTROLLED DOCUMENT.		DWN RAGHAVENDRA	07JUL06	tyco Electronics	Tyco Electronics Corporation Harrisburg, PA 17105-3608	
DIMENSIONS: mm [INCHES]		CHK G.D.PORTA	APVD G.D.PORTA		NAME	SPLICE, AMPLIVAR
TOLERANCES UNLESS OTHERWISE SPECIFIED:		PRODUCT SPEC		SIZE	CAGE CODE	DRAWING NO
0 PLC ± -		APPLICATION SPEC		A3	00779	C-41904
1 PLC ± -		WEIGHT		RESTRICTED TO		
2 PLC ± -		MATERIAL		CUSTOMER DRAWING		
3 PLC ± 0.38 [.015]		FINISH		SCALE	SHEET	REV
4 PLC ± - ± 1' 0"		BRASS		8:1	1 OF 1	E1