

4

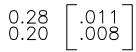
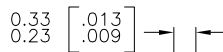
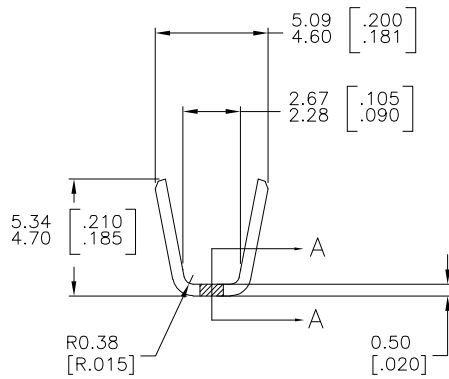
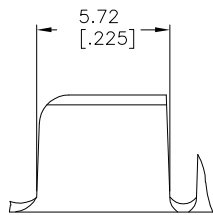
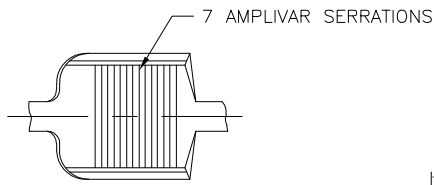
3

2

1

THIS DRAWING IS UNPUBLISHED. RELEASED FOR PUBLICATION
 © COPYRIGHT - BY TYCO ELECTRONICS CORPORATION. ALL RIGHTS RESERVED.

LOC		DIST		REVISIONS			
P	LTR	DESCRIPTION		DATE	DWN	APVD	
B1		ECR-06-023927 (REDRAWN IN AUTOCAD)		10NOV06	HMR	GP	



SECTION A-A
SCALE 20:1

- 1 CONTINUOUS STRIP ON REELS.
- 2 DIMENSIONS IN BRACKETS ARE IN INCHES.
- 3 WIRE RANGE: 3000-7000 CMA.

TIN	62201-2
NONE	62201-1
FINISH	PART NO

THIS DRAWING IS A CONTROLLED DOCUMENT.		DWN	RAGHAVENDRA	10NOV06	tyco Electronics		Tyco Electronics Corporation Harrisburg, PA 17105-3608	
DIMENSIONS: mm [INCHES]		CHK	G.D.PORTA		NAME		SPLICE, AMPLIVAR 7 SERRATIONS	
TOLERANCES UNLESS OTHERWISE SPECIFIED:		APVD	G.D.PORTA		PRODUCT SPEC		RESTRICTED TO	
0 PLC ± -		APPLICATION SPEC		SIZE		CAGE CODE	DRAWING NO	
1 PLC ± -		WEIGHT		A3		00779	C-62201	
2 PLC ± -		CUSTOMER DRAWING		SCALE		6:1	SHEET	1 OF 1
3 PLC ± 0.38 [.015]				REV		B1		
4 PLC ± -				MATERIAL		BRASS		
ANGLES ± 1° 0'				FINISH		SEE TABLE		