

4

3

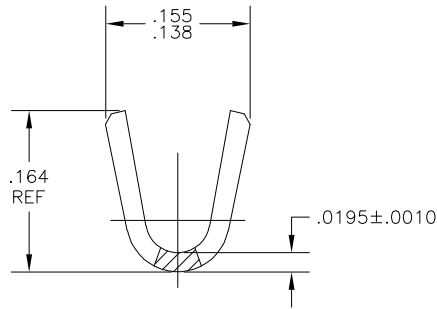
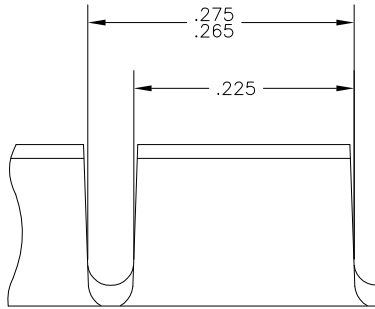
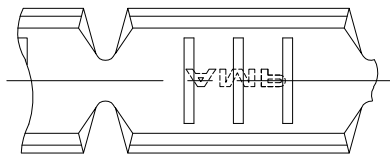
2

1

THIS DRAWING IS UNPUBLISHED. RELEASED FOR PUBLICATION
 © COPYRIGHT - BY TYCO ELECTRONICS CORPORATION. ALL RIGHTS RESERVED.

LOC	DIST	REVISIONS				
P	LTR	DESCRIPTION	DATE	DWN	APVD	
AF	50	C1	ECR-07-001426(REDRAWN IN AUTOCAD)	16DEC06	HMR	GP

- 1 CONTINUOUS STRIP ON REELS
- 2 WIRE RANGE 1500 - 4600 CMA



62318-1
PART NO

THIS DRAWING IS A CONTROLLED DOCUMENT.		DWN RAGHAVENDRA 16DEC06	Tyco Electronics Corporation Harrisburg, Pa 17105-3608																			
DIMENSIONS: INCHES		CHK G.D.PORTA 04JAN07	NAME G.D.PORTA 04JAN07																			
TOLERANCES UNLESS OTHERWISE SPECIFIED:		PRODUCT SPEC																				
<table border="1"> <tr><td>0</td><td>PLC</td><td>± -</td></tr> <tr><td>1</td><td>PLC</td><td>± -</td></tr> <tr><td>2</td><td>PLC</td><td>± -</td></tr> <tr><td>3</td><td>PLC</td><td>± .D10</td></tr> <tr><td>4</td><td>PLC</td><td>± -</td></tr> <tr><td colspan="2">ANGLES</td><td>± -</td></tr> </table>		0	PLC	± -	1	PLC	± -	2	PLC	± -	3	PLC	± .D10	4	PLC	± -	ANGLES		± -	APPLICATION SPEC		
0	PLC	± -																				
1	PLC	± -																				
2	PLC	± -																				
3	PLC	± .D10																				
4	PLC	± -																				
ANGLES		± -																				
MATERIAL TEMP 3 STEEL		FINISH .000100 MIN NICKEL																				
		SIZE A3	CAGE CODE 00779	DRAWING NO C-62318																		
		CUSTOMER DRAWING		RESTRICTED TO -																		
		SCALE 10:1	SHEET 1	OF 1																		
		REV C1																				