

4

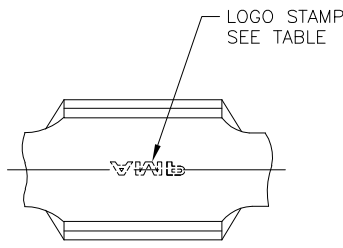
3

2

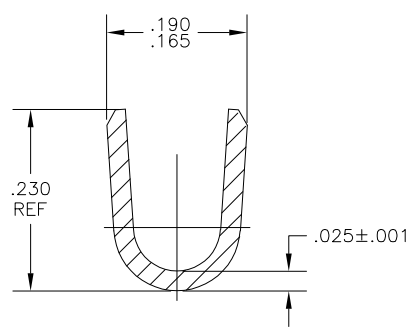
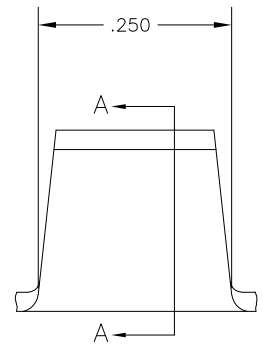
1

THIS DRAWING IS UNPUBLISHED. RELEASED FOR PUBLICATION  
 © COPYRIGHT - BY TYCO ELECTRONICS CORPORATION. ALL RIGHTS RESERVED.

LOC	DIST	REVISIONS			
P	LTR	DESCRIPTION	DATE	DWN	APVD
C1		ECR-07-006113(REDRAWN IN AUTOCAD)	19JAN07	HMR	GP



- 1 CONTINUOUS STRIP ON REELS.
- 2 WIRE RANGE: 4,000 TO 10,000 CMA



SECTION A-A

	NO AMP STAMP	41627-1
OBSOLETE	<del>AMP STAMP</del>	<del>41627</del>
	LOGO STAMP	PART NO

THIS DRAWING IS A CONTROLLED DOCUMENT.		DWN	19JAN07	<b>tyco</b> <b>Electronics</b>	Tyco Electronics Corporation	
		CHK	19JAN07		Harrisburg, Pa 17105-3608	
DIMENSIONS: INCHES		G.D.PORTA 19JAN07		NAME		
TOLERANCES UNLESS OTHERWISE SPECIFIED:		G.D.PORTA 19JAN07		SPLICE		
0 PLC ± -		PRODUCT SPEC		SIZE		
1 PLC ± -		APPLICATION SPEC		CAGE CODE		
2 PLC ± -		WEIGHT		DRAWING NO		
3 PLC ± .D10		CUSTOMER DRAWING		RESTRICTED TO		
4 PLC ± -		SCALE		REV		
ANGLES ± -		8:1		C1		
FINISH		SHEET		OF		
STAINLESS STEEL ANNEALED		1		1		
NONE		REV		C1		

AMP 1470-19 REV 31MAR2000