

4

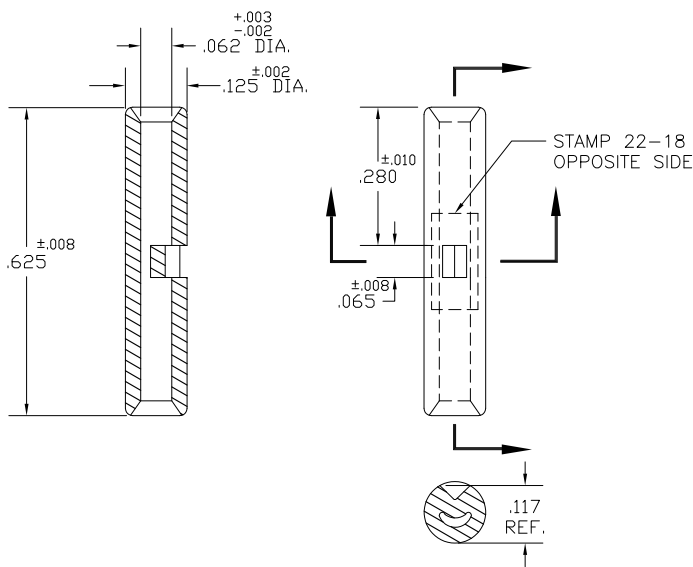
3

2

1

THIS DRAWING IS UNPUBLISHED. RELEASED FOR PUBLICATION
 © COPYRIGHT - BY TYCO ELECTRONICS CORPORATION. ALL RIGHTS RESERVED.

LOC	DIST	REVISIONS				
P	LTR	DESCRIPTION	DATE	DWN	APVD	
G	86	B	REVISED PER ECR-09-012883	25JUN09	HMR	TM



ACTIVE	18B-003	STD	TIN PLATE	1527488-2
-	-	-	-	-
STATUS	AET P/N	PACKAGING	FINISH	PART NUMBER

THIS DRAWING IS A CONTROLLED DOCUMENT.		DWN	JR RUTH	22FEB02	Tyco Electronics Corporation Harrisburg, PA 17105-3608	
DIMENSIONS:		CHK	MJ SPICER	22FEB02	NAME	
INCHES		APVD	MJ SPICER	22FEB02	SEAMLESS BUTT CONNECTOR 22-18 BARREL	
TOLERANCES UNLESS OTHERWISE SPECIFIED:		PRODUCT SPEC		SIZE		
0 PLC	± -	APPLICATION SPEC		A3	00779	C-1527488
1 PLC	± -	WEIGHT		RESTRICTED TO		
2 PLC	± -	FINISH		-		
3 PLC	± -	MATERIAL		-		
4 PLC	± -	COPPER ASTM B-152		-		
ANGLES	± -	SEE TABLE		CUSTOMER DRAWING		
				SCALE	1:1	SHEET 1 OF 1
				REV B		

AMP 1470-19 REV 31MAR2000