

4

3

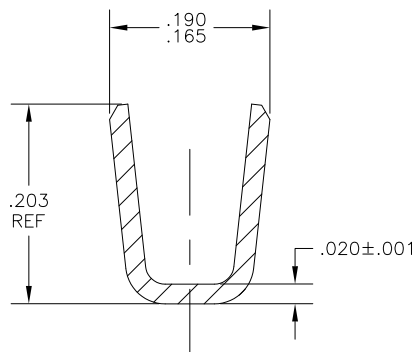
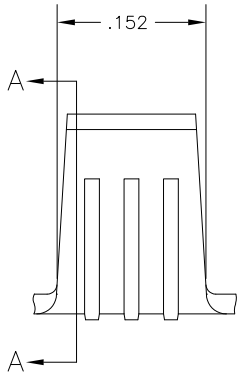
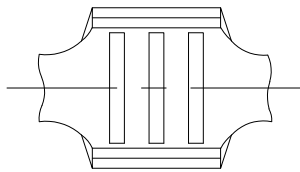
2

1

THIS DRAWING IS UNPUBLISHED. RELEASED FOR PUBLICATION  
 © COPYRIGHT - BY TYCO ELECTRONICS CORPORATION. ALL RIGHTS RESERVED.

LOC	DIST	REVISIONS				
P	LTR	DESCRIPTION	DATE	DWN	APVD	
AF	50	E1	ECR-07-018635(REDRAWN IN AUTOCAD)	03JUL07	HMR	GP

- 1 CONTINUOUS STRIP ON REELS.
- 2 WIRE RANGE: 3300 TO 9000 CMA
- 3 CRIMP WIDTH: .140, "F" TYPE  
 CRIMP HEIGHT  $(\pm .002) = (\text{TOTAL CMA} + 14,600) / 223,200$   
 FOR APPLICATOR INFORMATION CALL: 1-800-722-1111  
 FOR PRODUCT INFORMATION CALL: 1-800-522-6752



SECTION A-A

60470-1  
 PART NO

THIS DRAWING IS A CONTROLLED DOCUMENT.		DWN RAGHAVENDRA	03JUL07	Tyco Electronics Tyco Electronics Corporation Harrisburg, PA 17105-3608	
DIMENSIONS: INCHES		CHK G.D.PORTA	03JUL07	NAME	
TOLERANCES UNLESS OTHERWISE SPECIFIED:		APVD G.D.PORTA	03JUL07	PRODUCT SPEC	
0 PLC ± -		APPLICATION SPEC		SIZE	
1 PLC ± -		WEIGHT		CAGE CODE	DRAWING NO
2 PLC ± -		STAINLESS STEEL		A3	00779
3 PLC ± .010		FINISH		C	60470
4 PLC ± -		BLACKEN		RESTRICTED TO	
ANGLES ± -		CUSTOMER DRAWING		SCALE	10:1
				SHEET	1 of 1
				REV	E1

AMP 1470-19 REV 31MAR2000