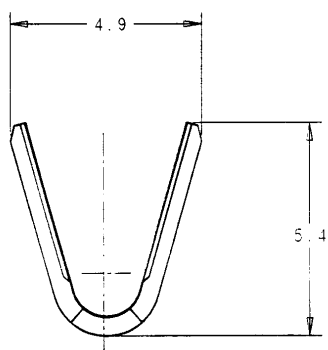
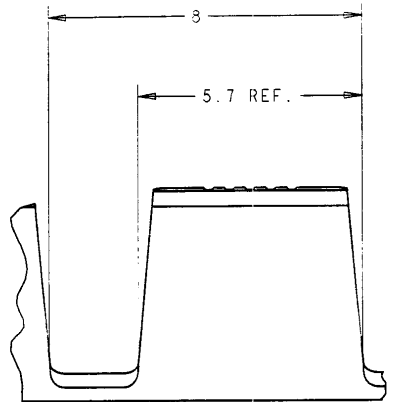
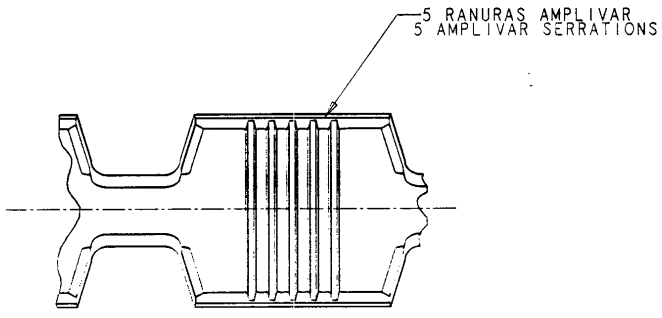


THIS DRAWING IS UNPUBLISHED
 RELEASED FOR PUBLICATION
 BY AMP INCORPORATED

LOC	DIST	REV. NO.	DESCRIPTION	DATE	DWN	APVD
AL	2		H REVISADO POR ES-0007-96	20FEB96	JL	3



SCALE 2



FINISH	MATERIAL	PART N°
	BRASS, LATION	42779-1
	BRASS, LATION	42779-1

THIS DRAWING IS UNPUBLISHED RELEASED FOR PUBLICATION BY AMP INCORPORATED		JUN 818 20-FEB-96 CHK COMP 20-FEB-96 APVD APP 20-FEB-96	AMP AMP Electronic Corp. Burlington, Mass.
1. REVISIONES 2. REVISIONES TITULO	1. REVISIONES 2. REVISIONES TITULO	PRODUCT SPEC ESPEC. ANGULO 03-22039 APPL. CATION SPEC ESPEC. APPL. CATION 114-2008	AMPLIVAR SPLICE 5 SERRATIONS AMPLIVAR 5 RANURAS (3000-7000 CMA)
MATERIAL THK 0.50 mm ESPESOR 0.50 mm	FINISH ACABADO SEE TABLE	WEIGHT PESO -	SIZE TAM A3 CAGE CODE CODIGO 00779 DRAWING NO PLANO NO ©=42779
CUSTOMER DRAWING / PLANO DE CLIENTE			SCALE ESCALA 0.1 SHEET HOJA 1 OF 1 REV 14