

4

3

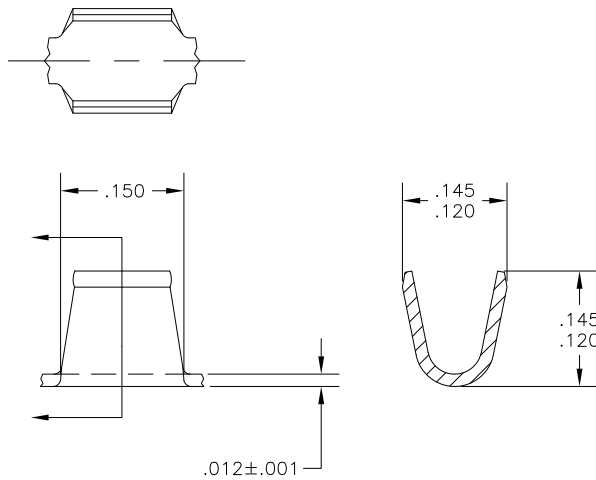
2

1

THIS DRAWING IS UNPUBLISHED. RELEASED FOR PUBLICATION
 © COPYRIGHT - BY TYCO ELECTRONICS CORPORATION. ALL RIGHTS RESERVED.

LOC	DIST	REVISIONS			
P	LTR	DESCRIPTION	DATE	DWN	APVD
	H2	ECR-07-018635(REDRAWN IN AUTOCAD)	08AUG07	HMR	GP

- CONTINUOUS STRIP ON REELS
- WIRE RANGE FOR NEW APPLICATIONS: 3200-3900 CMA
(WIRE RANGE APPROVED FOR APPLICATIONS IMPLEMENTED PRIOR TO 2005: 1600-4200 CMA).



42329-1
 PART NO

THIS DRAWING IS A CONTROLLED DOCUMENT.		DWN	M.S. FEHER	14NOV2005	Tyco Electronics		Tyco Electronics Corporation Harrisburg, PA 17105-3608															
DIMENSIONS: INCHES		CHK	G.D. PORTA	14NOV2005	NAME		SPLICE															
<table border="1"> <tr> <th>TOLERANCES UNLESS OTHERWISE SPECIFIED:</th> <th></th> </tr> <tr> <td>0 PLC</td> <td>± .</td> </tr> <tr> <td>1 PLC</td> <td>± .</td> </tr> <tr> <td>2 PLC</td> <td>± .</td> </tr> <tr> <td>3 PLC</td> <td>± .015</td> </tr> <tr> <td>4 PLC</td> <td>± .</td> </tr> <tr> <td>ANGLES</td> <td>± 1°</td> </tr> </table>		TOLERANCES UNLESS OTHERWISE SPECIFIED:		0 PLC	± .	1 PLC	± .	2 PLC	± .	3 PLC	± .015	4 PLC	± .	ANGLES	± 1°	APVD	G.D. PORTA	14NOV2005	PRODUCT SPEC		RESTRICTED TO	
TOLERANCES UNLESS OTHERWISE SPECIFIED:																						
0 PLC	± .																					
1 PLC	± .																					
2 PLC	± .																					
3 PLC	± .015																					
4 PLC	± .																					
ANGLES	± 1°																					
MATERIAL STEEL		APPLICATION SPEC		SIZE A3		CAGE CODE 00779	DRAWING NO 42329	REV H2														
FINISH .000100 MIN NICKEL		WEIGHT		CUSTOMER DRAWING		SCALE 5:1	SHEET 1 OF 1															