

4

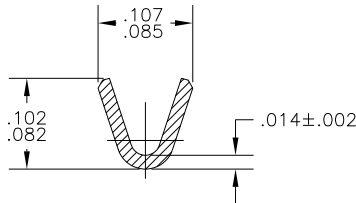
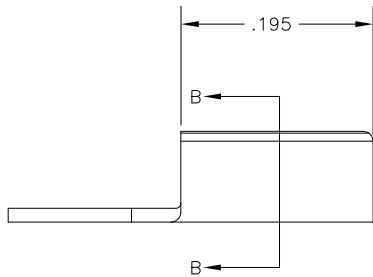
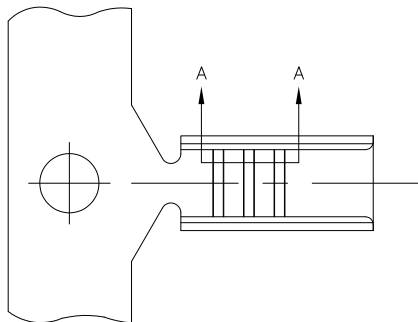
3

2

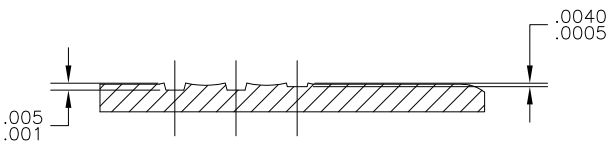
1

THIS DRAWING IS UNPUBLISHED. RELEASED FOR PUBLICATION  
 © COPYRIGHT - BY TYCO ELECTRONICS CORPORATION. ALL RIGHTS RESERVED.

LOC	DIST	REVISIONS			
P	LTR	DESCRIPTION	DATE	DWN	APVD
AF	50				
		E	REVISED PER ECR-10-004665	08MAR10	JR GP



SECTION B-B



SECTION A-A  
SCALE 20:1

- 1 CONTINUOUS STRIP ON REELS
- 2 P/N 62341-3 SAME AS P/N 62341-1 EXCEPT REVERSE REELED

OBSOLETE	480-1500 CMA	TIN	2	62341-3
OBSOLETE	480-1500 CMA	NONE	2	62341-2
	480-1500 CMA	TIN		62341-1
	WIRE RANGE	FINISH		PART NO

THIS DRAWING IS A CONTROLLED DOCUMENT.		DWN	11OCT2006		Tyco Electronics Corporation Harrisburg, PA 17105-3608	
DIMENSIONS: INCHES		CHK	RAGHAVENDRA		NAME	
TOLERANCES UNLESS OTHERWISE SPECIFIED:		APVD	G.D.PORTA		PRODUCT SPEC	
0 PLC ± -		PRODUCT SPEC		APPLICATION SPEC		
1 PLC ± -		APPLICATION SPEC		RESTRICTED TO		
2 PLC ± -		WEIGHT		SIZE		
3 PLC ± .015		A3		CAGE CODE		
4 PLC ± -		00779		DRAWING NO		
ANGLES ± 1° 0'		C=62341		RESTRICTED TO		
MATERIAL	FINISH	CUSTOMER DRAWING		SCALE		
BRASS	SEE TABLE			10:1		
				SHEET		
				1 OF 1		
				REV		
				E		