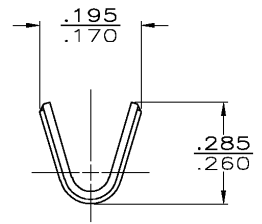
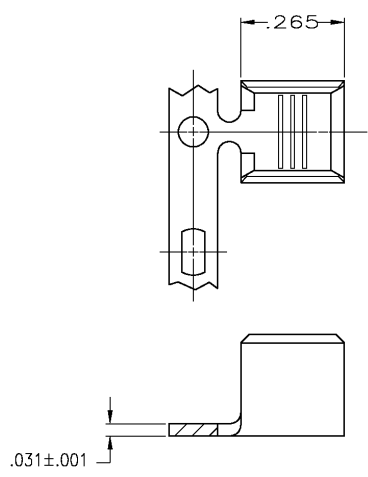


THIS DRAWING IS UNPUBLISHED. RELEASED FOR PUBLICATION
 © COPYRIGHT BY TYCO ELECTRONICS CORPORATION. ALL RIGHTS RESERVED.

LOC	DIST	REVISIONS				
P	LTR	DESCRIPTION	DATE	DWN	APVD	
AF	50	C	REVISED PER 0G3A-0016-03	14FEB03	JR	GP

- 1 CONTINUOUS STRIP ON REELS.
- 2 CRIMP WIDTH: .180 F TYPE
 CRIMP HEIGHT: (±.002) = (TOTAL CMA + 28,300) / 289,800
 FOR APPLICATOR INFORMATION CALL: 1-800-722-1111
 FOR PRODUCT INFORMATION CALL: 1-800-522-6752



9,000-16,000	63414-1
CMA WIRE SIZE	PART NUMBER

THIS DRAWING IS A CONTROLLED DOCUMENT.		DWN MICHAEL S. FEHER 19DEC2002	Tyco Electronics Corporation Harrisburg, PA 17105-3608	
DIMENSIONS: INCHES		CHK GARY PORTA 19DEC2002	NAME GARY PORTA	
		PRODUCT SPEC -		
TOLERANCES UNLESS OTHERWISE SPECIFIED:		APPLICATION SPEC -		
0 PLC ± - 1 PLC ± - 2 PLC ± - 3 PLC ± .010 4 PLC ± - ± - ANGLES ± -		SIZE A3	CAGE CODE 00779	DRAWING NO C=63414
MATERIAL #3 HARD STEEL	FINISH .000080 MIN TIN	CUSTOMER DRAWING		RESTRICTED TO -
		SCALE 4:1	SHEET 1 OF 1	REV C

AMP 1470-19 REV 31MAR2000