

4

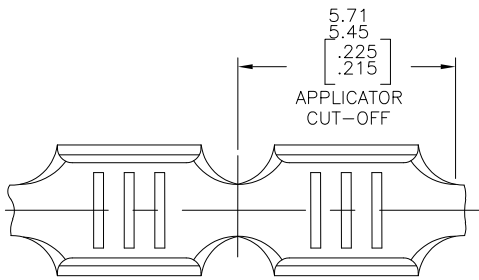
3

2

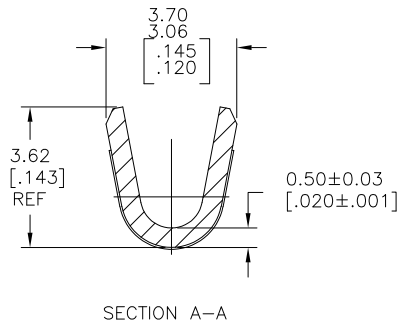
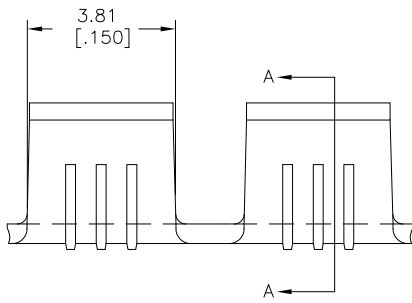
1

THIS DRAWING IS UNPUBLISHED. RELEASED FOR PUBLICATION
 © COPYRIGHT - By - ALL RIGHTS RESERVED.

LOC		DIST		REVISIONS			
P	LTR	DESCRIPTION		DATE	DWN	APVD	
B1		REVISED PER ECR-11-006644		05APR11	HMR	GJ	



- 1 PRODUCT PROVIDED IN STRIP FORM ON REELS; BREAKS MAY BE PRESENT
- 2 WIRE RANGE: 0.51-1.62 mm²[1000-3200 CMA]
- 3 CRIMP WIDTH: 2.79[.110]F TYPE. CRIMP HEIGHT IN INCHES (+/- .002)=(TOTAL CMA OF WIRES + 9267)/ 183333.



41975
PART NO

THIS DRAWING IS A CONTROLLED DOCUMENT.		DWN	RAGHAVENDRA	02JUL07	STE TE Connectivity		
		CHK	G.D.PORTA	02JUL07			
DIMENSIONS: mm [INCHES]		APVD		G.D.PORTA	02JUL07	NAME	
TOLERANCES UNLESS OTHERWISE SPECIFIED:		PRODUCT SPEC		SPLICE			
0 PLC ± -		APPLICATION SPEC		114-2088			
1 PLC ± -		WEIGHT		-			
2 PLC ± 0.25[.010]		SIZE		A3	CAGE CODE	DRAWING NO	RESTRICTED TO
3 PLC ± -		CUSTOMER DRAWING		00779		41975	-
4 PLC ± -		SCALE		10:1		SHEET	1 OF 1
ANGLES ± -		FINISH		TIN		REV	B1
MATERIAL		BRASS					