

4

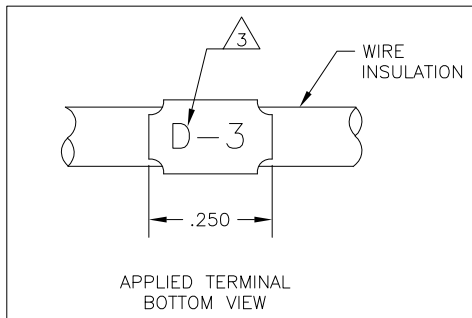
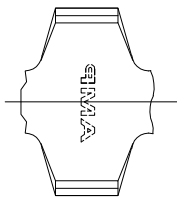
3

2

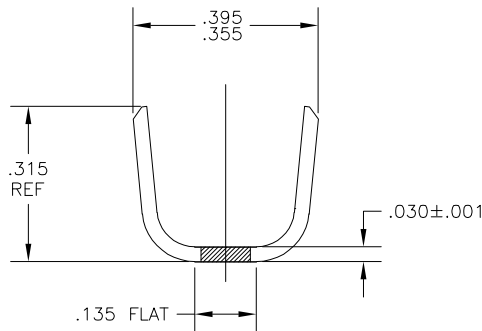
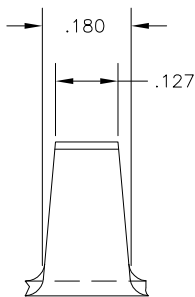
1

THIS DRAWING IS UNPUBLISHED. RELEASED FOR PUBLICATION
 © COPYRIGHT - BY TYCO ELECTRONICS CORPORATION. ALL RIGHTS RESERVED.

LOC	DIST	REVISIONS			
P	LTR	DESCRIPTION	DATE	DWN	APVD
AF	50				
	A1	ECR-07-001426(REDRAWN IN AUTOCAD)	06DEC06	HMR	GP



- 1 CONTINUOUS STRIP ON REELS.
- 2 INSULATION RANGE: .150 - .300 DIA.
- POSITION OF CUSTOMER'S CODE NUMBER (1 OR 2 DIGITS OR LETTERS)



41282
PART NO

THIS DRAWING IS A CONTROLLED DOCUMENT.		DWN RAGHAVENDRA 06DEC06	Tyco Electronics Corporation Harrisburg, Pa 17105-3608																			
DIMENSIONS: INCHES		CHK G.D.PORTA 04JAN07	NAME G.D.PORTA 04JAN07																			
TOLERANCES UNLESS OTHERWISE SPECIFIED:		PRODUCT SPEC																				
<table border="0"> <tr><td>0</td><td>PLC</td><td>± -</td></tr> <tr><td>1</td><td>PLC</td><td>± -</td></tr> <tr><td>2</td><td>PLC</td><td>± -</td></tr> <tr><td>3</td><td>PLC</td><td>± .010</td></tr> <tr><td>4</td><td>PLC</td><td>± -</td></tr> <tr><td></td><td>ANGLES</td><td>± -</td></tr> </table>		0	PLC	± -	1	PLC	± -	2	PLC	± -	3	PLC	± .010	4	PLC	± -		ANGLES	± -	APPLICATION SPEC		
0	PLC	± -																				
1	PLC	± -																				
2	PLC	± -																				
3	PLC	± .010																				
4	PLC	± -																				
	ANGLES	± -																				
MATERIAL O82 BRASS	FINISH NONE	WEIGHT -	SIZE A3	CAGE CODE 00779																		
		DRAWING NO C-41282	RESTRICTED TO																			
CUSTOMER DRAWING		SCALE 5:1	SHEET 1	OF 1																		
		REV A1																				