

4

3

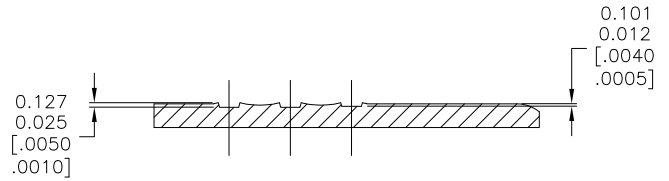
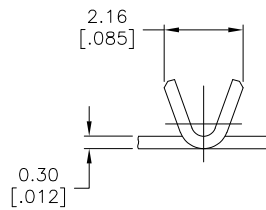
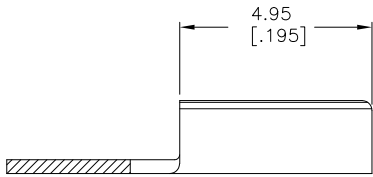
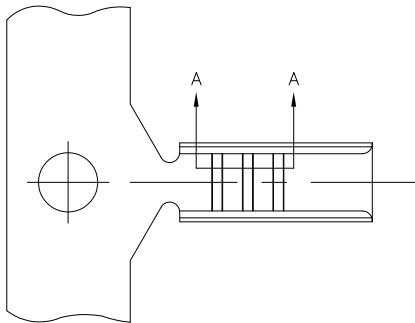
2

1

THIS DRAWING IS UNPUBLISHED. RELEASED FOR PUBLICATION
 © COPYRIGHT - BY TYCO ELECTRONICS CORPORATION. ALL RIGHTS RESERVED.

LOC	DIST	REVISIONS				
P	LTR	DESCRIPTION	DATE	DWN	APVD	
AF	50	B5	REVISED PER ECR-10-005285	10MAR10	JR GP	

- 1 PRODUCT PROVIDED IN STRIP FORM ON REELS; BREAKS MAY BE PRESENT
- △2 ALTERNATE REELING FOR THRU CRIMP APPLICATION.
- △3 SUPPLIED ON PLASTIC REEL.



SECTION A-A
SCALE 20:1

200-850 CMA	△3	63431-3
200-850 CMA	△2	63431-2
200-850 CMA		63431-1
WIRE RANGE		PART NO

THIS DRAWING IS A CONTROLLED DOCUMENT.		DWN	12OCT2006		 Tyco Electronics Corporation Harrisburg, PA 17105-3608
		CHK	RAGHAVENDRA		
DIMENSIONS:		G.D.PORTA		NAME	AMPLIVAR SPLICE MINIATURE
mm [INCHES]		G.D.PORTA		APVD	
TOLERANCES UNLESS OTHERWISE SPECIFIED:		PRODUCT SPEC		APPLICATION SPEC	
0 PLC ± - 1 PLC ± - 2 PLC ± - 3 PLC ± 0.25 [0.010] 4 PLC ± - ANGLES ± 1° 0'		WEIGHT		RESTRICTED TO	
MATERIAL	FINISH	SIZE	CAGE CODE	DRAWING NO	
BRASS	TIN	A3	00779	63431	
CUSTOMER DRAWING				SCALE	10:1
				SHEET	1 of 1
				REV	B5