

4

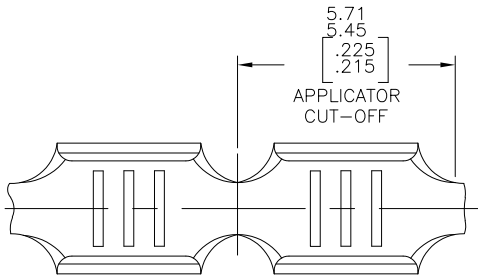
3

2

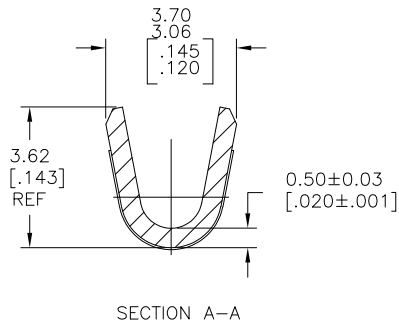
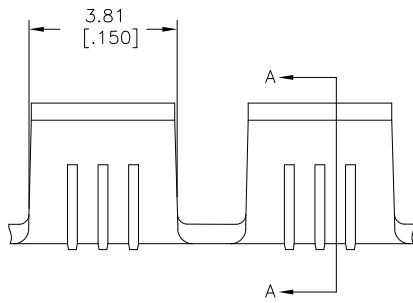
1

THIS DRAWING IS UNPUBLISHED. RELEASED FOR PUBLICATION
 © COPYRIGHT - By - ALL RIGHTS RESERVED.

| LOC | | DIST | | REVISIONS | | | |
|-----|-----|---------------------------|---------|-----------|------|--|--|
| P | LTR | DESCRIPTION | DATE | DWN | APVD | | |
| | J2 | REVISED PER ECR-11-006644 | 05APR11 | HMR | GJ | | |



- CONTINUOUS STRIP ON REELS
- WIRE RANGE: 0.51-1.62 mm²[1000-3200 CMA]
- CRIMP WIDTH: 2.79[.110]F TYPE.
CRIMP HEIGHT IN INCHES (+/- .002)=(TOTAL CMA OF WIRES + 9267)/183333.



| | |
|----------|--------------------|
| OBSOLETE | 41974-1 |
| | 41974 |
| | PART NO |

| | | | | | | | | |
|--|--|--|-------------|---------------|----------------------------|--------------------------------|-----------|------------|
| THIS DRAWING IS A CONTROLLED DOCUMENT. | | DWN | RAGHAVENDRA | 02JUL07 | STE TE Connectivity | | | |
| | | CHK | G.D.PORTA | 02JUL07 | | | | |
| DIMENSIONS: mm [INCHES] | | TOLERANCES UNLESS OTHERWISE SPECIFIED: | | APVD | G.D.PORTA | 02JUL07 | NAME | |
| 0 PLC ± - 1 PLC ± - 2 PLC ± 0.25[.010] 3 PLC ± - 4 PLC ± - ANGLES ± - | | PRODUCT SPEC | | SPLICE | | | | |
| | | APPLICATION SPEC | | RESTRICTED TO | | | | |
| | | MATERIAL | | FINISH | | SIZE | CAGE CODE | DRAWING NO |
| | | BRASS | | NONE | | A3 | 00779 | C-41974 |
| CUSTOMER DRAWING | | | | WEIGHT | 114-2088 | SCALE 10:1 SHEET 1 OF 1 REV J2 | | |