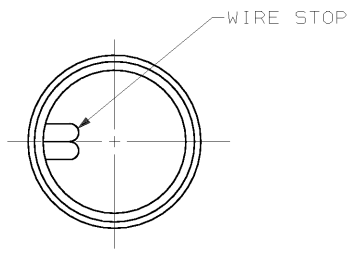
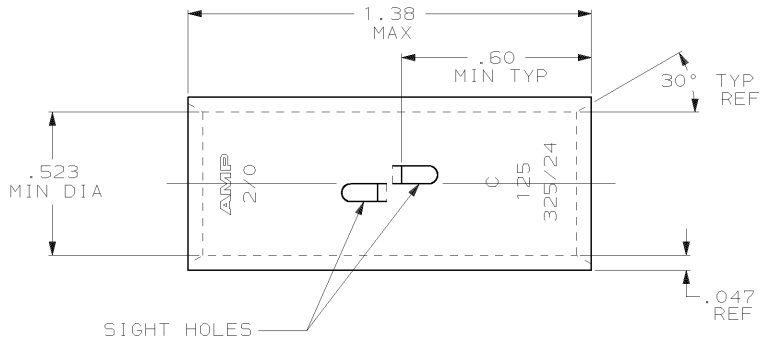


DRAWING MADE IN THIRD ANGLE PROJECTION

THIS DRAWING IS UNPUBLISHED. RELEASED FOR PUBLICATION, 19  
 © COPYRIGHT 19 BY AMP INCORPORATED. ALL INTERNATIONAL RIGHTS RESERVED.

LOC	DIST	P	F	ZONE	LTR	DESCRIPTION	DATE	APPD
G	86				M	REV PER 063A-0637-01	03OCT02	JR/H5



△ TIN PL .000150 MIN THK MIL-T-10727

CLEANED △	119,500-150,500 CM	COPPER ASTM-B-75 ANNEALED	1-324459-0
FINISH	WIRE RANGE	MATERIAL	PART NO 324459
DO NOT SCALE PRINT. UNLESS SPECIFIED DIMENSIONS IN INCHES TOLERANCES ON: 2. PLC DEC ± - 3. PLC DEC ± - ANGLES ± -	DR 4/24/89 DK SCHULTZ CHK 4/24/89 MS FEHER APPD 11/8/89 WJ WICKROTH APPD 11/8/89 TL SHUTTER	<b>AMP</b>   AMP INCORPORATED Harrisburg, Pa. 17105	
MATERIAL SEE TABLE	PRODUCT SPEC -	NAME SPLICE, BUTT, AMPPOWER WIRE SIZE: 2/0 AWG	
FINISH SEE TABLE	APPLICATION SPEC -	SIZE <b>B</b>	FSCM NO 00779
	WEIGHT .037 LB.	SCALE 4:1	DRAWING NO 324459
			SHEET 1 OF 1

CUSTOMER DRAWING

AMP 1470-15 REV 3-87  
 19 JUL 1989 13:34:18 525463 40512BA/REP1125-DWG1125-UL/AMPOWER/UL/SPLICE