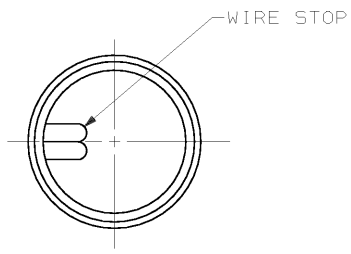
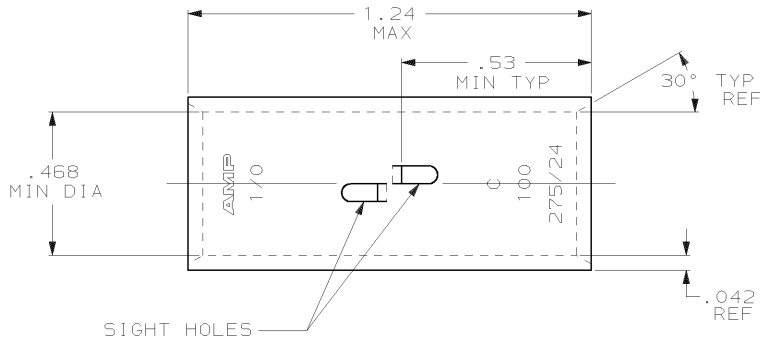


DRAWING MADE IN THIRD ANGLE PROJECTION

THIS DRAWING IS UNPUBLISHED. RELEASED FOR PUBLICATION, 19
 © COPYRIGHT 19 BY AMP INCORPORATED. ALL INTERNATIONAL RIGHTS RESERVED.

LOC	DIST	REVISIONS				
P	F	ZONE	LTR	DESCRIPTION	DATE	APPD
G	86		M	REV PER 063A-0637-01	030CT02	JR/MS



△ TIN PL .000150 MIN THK MIL-T-10727

CLEANED △	83,700-119,500 CM	COPPER ASTM-B-75 ANNEALED	1-324458-0
FINISH	WIRE RANGE	MATERIAL	PART NO 324458
DO NOT SCALE PRINT. UNLESS SPECIFIED DIMENSIONS IN INCHES TOLERANCES ON: 2. PLC DEC ± - 3. PLC DEC ± - ANGLES ± -	DR 4/24/89 DK SCHULTZ CHK 4/24/89 MS FEHER APPD 11/8/89 WJ WICKROTH APPD 11/8/89 TL SHUTTER	AMP AMP INCORPORATED Harrisburg, Pa. 17105	
MATERIAL SEE TABLE	PRODUCT SPEC -	NAME SPLICE, BUTT, AMPPOWER WIRE SIZE: 1/0 AWG	
FINISH SEE TABLE	APPLICATION SPEC -	SIZE B	FSCM NO 00779
	WEIGHT .027 LB.	SCALE 4:1	DRAWING NO 324458
			SHEET 1 OF 1