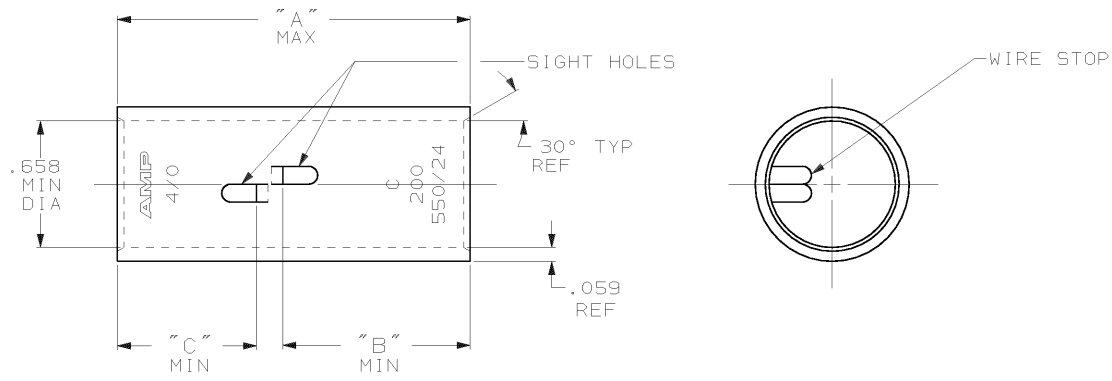


DRAWING MADE IN THIRD ANGLE PROJECTION

THIS DRAWING IS UNPUBLISHED. RELEASED FOR PUBLICATION, 19
 © COPYRIGHT 19 BY AMP INCORPORATED. ALL INTERNATIONAL RIGHTS RESERVED.

LOC	DIST	REVISIONS				DATE	APPD
G	86	P	F	ZONE	LTR	DESCRIPTION	
						REV PER 0G3A-0637-01	030CT92 JR/MS



- 1 TIN PL .000150 MIN THK PER ASTM B 545
- 2 PART NO: 324461; .071 LB.
PART NO: 1-324461-0; .071 LB.
PART NO: 2-324461-2; .082 LB.
PART NO: 2-324461-3; .082 LB.
- 3 CLEANED, UNPLATED
- 4 PRELIMINARY - NOT FOR PRODUCTION

.72	.97	1.89	190,000-231,000	△	COPPER ASTM-B-75 ANNEALED	2-324461-3
.72	.72	1.65	CM	△		2-324461-2
				△		1-324461-0
"c"	"b"	"a"	WIRE RANGE	FINISH	MATERIAL	PART NO
DO NOT SCALE PRINT. UNLESS SPECIFIED DIMENSIONS IN INCHES TOLERANCES ON: 1. PLC DEC ± - 2. PLC DEC ± - 3. PLC DEC ± - ANGLES ± -				DR 4/24/89 DK SCHULTZ	AMP INCORPORATED Harrisburg, Pa. 17105	
MATERIAL SEE TABLE				CHK 4/24/89 MS FEHER	NAME SPLICE, BUTT, AMPOWER WIRE SIZE: 4/0 AWG	
FINISH SEE TABLE				APPD 11/8/89 WJ WICKROTH	SIZE B	FSCM NO 00779
				APPD 11/8/89 TL SHUTTER	PRODUCT SPEC -	DRAWING NO 324461
				APPLICATION SPEC -	SCALE 2:1	SHEET 1 OF 1
				WEIGHT △		

AMP 1470-15 REV 3-87
 28-JUN-96 11:07:08 amp26463 /files/dept1123/dwg1123/u.ampower/u.splice

CUSTOMER DRAWING