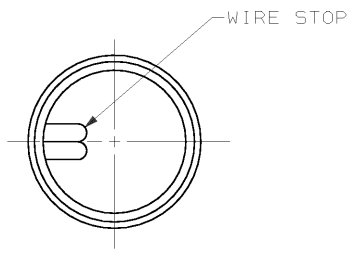
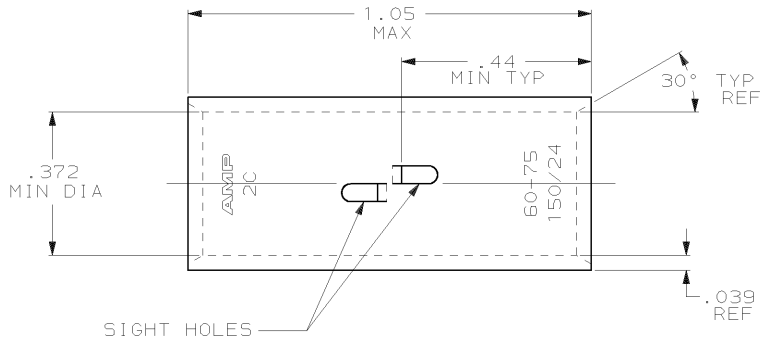


DRAWING MADE IN THIRD ANGLE PROJECTION

THIS DRAWING IS UNPUBLISHED. RELEASED FOR PUBLICATION, 19
 © COPYRIGHT 19 BY AMP INCORPORATED. ALL INTERNATIONAL RIGHTS RESERVED.

LOC	DIST	REVISIONS				
P	F	ZONE	LTR	DESCRIPTION	DATE	APPD
G	86		P	REV PER 0G3A-0637-01	030CT02	JR/MS



△ TIN PL .000150 MIN THK PER ASTM B 545

OBSELETE	CLEANED	52,600-83,700 CM	COPPER ASTM-B-75 ANNEALED	1-324457-0
	△ FINISH	WIRE RANGE	MATERIAL	PART NO 324457
DO NOT SCALE PRINT. UNLESS SPECIFIED DIMENSIONS IN INCHES TOLERANCES ON: 2. PLC DEC ± - 3. PLC DEC ± - ANGLES ± -	DR 4/24/89 DK SCHULTZ CHK 4/24/89 MS FEHER APPD 11/8/89 WJ WICKROTH APPD 11/8/89 TL SHUTTER	AMP INCORPORATED Harrisburg, Pa. 17105		
MATERIAL SEE TABLE	PRODUCT SPEC -	NAME SPLICE, BUTT, AMPOWER WIRE SIZE: 2 AWG		
FINISH SEE TABLE	APPLICATION SPEC -	SIZE B	FSCM NO 00779	DRAWING NO 324457
	WEIGHT .017 LB.	SCALE 4:1	SHEET 1 OF 1	

CUSTOMER DRAWING

AMP 1470-15 REV 3-87
 10-MAR-99 13:14:14 amp10389 /home/ssr-v027a/dsk01/dgpl1133/amp10389/edead