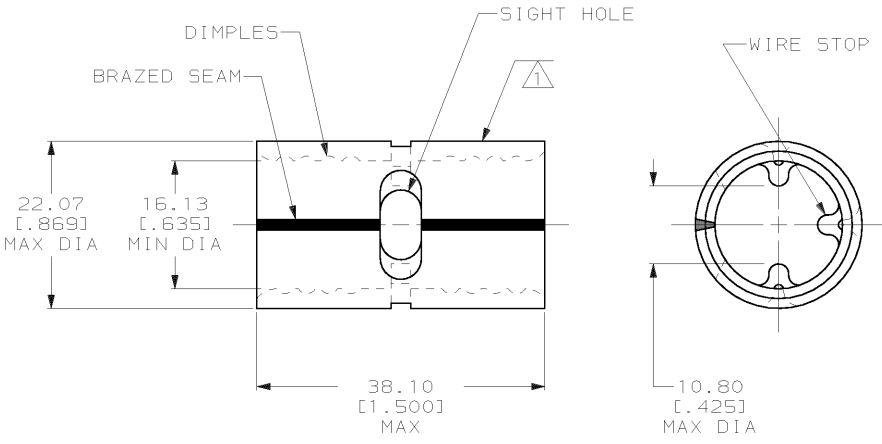


THIS DRAWING IS UNPUBLISHED. RELEASED FOR PUBLICATION, 19 .
 © COPYRIGHT 19 BY AMP INCORPORATED. ALL INTERNATIONAL RIGHTS RESERVED.

LOC	DIST	P	F	ZONE	LTR	DESCRIPTION	DATE	APPD
G	14				F	REV PER 063A-0503-01	17DEC01	CK

AMP PART NO	MATERIAL	PKG TYPE	QTY
8-36960-3	M/F 8-36960-0	BOX	25

METRIC
 DIMENSIONS LISTED IN mm [INCHES]



AMP WIRE RANGE	UL E13288 Listed
4/0 AWG SOLID OR STRANDED	4/0 AWG SOLID OR STRANDED

SP LR7189 Certified	MILITARY P/N AND CLASS
4/0 AWG SOLID OR STRANDED	NOT APPLICABLE

1 STAMP AMP 4/0W* APPROX AS SHOWN
 2 MATERIAL THK: 2.59 ± 0.08 [0.102 ± 0.003]

AMP INCORPORATED CUSTOMER SERVICE SYSTEMS		MAX RECOMMENDED OPERATING TEMPERATURE: 170°C MAX	36960 PART NO
FOR ADDITIONAL PRODUCT INFORMATION OR COPIES OF DRAWINGS AND TECHNICAL DOCUMENTS	PRODUCT INFORMATION CENTER 1-800-522-6752	VOLTAGE RATING: NOT APPLICABLE	AMP AMP Incorporated Harrisburg, PA 17105-3608 NAME SPLICE, BUTT, SOLISTRAND™
FOR APPLICATION TOOLING INFORMATION	TOOLING ASSISTANCE CENTER 1-800-722-1111	CIRCULAR MIL AREA: 96.3-117.0mm² [190,000-231,100] CIR MILS SOLID OR STRANDED	
FOR ORDER ENTRY	1-800-526-5142	THIS DRAWING IS A CONTROLLED DOCUMENT FOR AMP INCORPORATED. IT IS SUBJECT TO CHANGE AND THE CONTROLLING ENGINEERING ORGANIZATION SHOULD BE CONTACTED FOR THE LATEST REVISION.	FINISH TIN PLATE 0.00254 [0.00100] MIN THK PER MIL-T-10727 DO NOT SCALE PRINT. UNLESS SPECIFIED DIMENSIONS IN INCHES: TOLERANCES ON: 1. ALL DIMENSIONS ± 0.254 (0.0100) 2. PLC DEC ± 0.201 (0.008) 3. PLC DEC ± - ANGLES ± - MATERIAL COPPER ASTM B-152 ANNEALED DR 5/24/93 DK SCHULTZ CHK 1/27/94 RD HEIM APPD 1/27/94 RE ROSEB APPD 1/27/94 JL MECKLEY PRODUCT SPEC - APPLICATION SPEC - WEIGHT - SIZE B CAGE CODE 00779 DRAWING NO C=36960 SCALE 2:1 SHEET 1 OF 1

AMP 1470-15 REV 3-92
 04-FEB-94 07:48:54 amp26463 /files/dept1123/dwg1123/u.solistrand/u.butt-splice

CUSTOMER DRAWING