

DRAWING MADE IN THIRD ANGLE PROJECTION

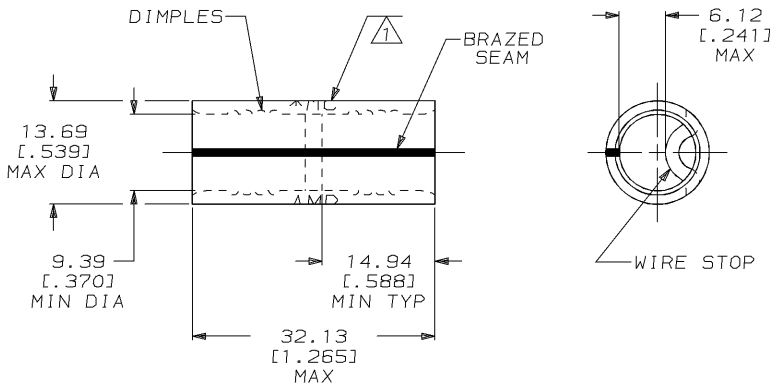
THIS DRAWING IS UNPUBLISHED. RELEASED FOR PUBLICATION, 19 .
 © COPYRIGHT 19 BY AMP INCORPORATED. ALL INTERNATIONAL RIGHTS RESERVED.

LOC	DIST	P	F	ZONE	LTR	REVISIONS	DATE	APPD
G	14					K REVISED PER 0L20-0045-97	24MAR97	CHK

AMP PART NUMBER	PACKAGE TYPE	QTY
8-35189-3	LOOSE PIECE, BOX	25
8-35189-5	LOOSE PIECE, SPL	10
8-35189-6	LOOSE PIECE, BAG	10

AMP WIRE RANGE	E13288 Listed
2 AWG SOLID OR STRANDED	2 AWG STRANDED
LR7189 Certified	MILITARY P/N AND CLASS
2 AWG SOLID OR STRANDED	NOT APPLICABLE

△ STAMP AMP 2W* 60-75 APPROX AS SHOWN
 2 MATERIAL THK: 1.78±0.08 [0.070±.003]



AMP INCORPORATED CUSTOMER SERVICE SYSTEMS		MAX RECOMMENDED OPERATING TEMPERATURE: 170°C MAX	35189 PART NO
FOR ADDITIONAL PRODUCT INFORMATION OR COPIES OF DRAWINGS AND TECHNICAL DOCUMENTS	PRODUCT INFORMATION CENTER 1-800-522-6752	VOLTAGE RATING: NOT APPLICABLE	AMP Incorporated Harrisburg, PA 17105-3608 NAME SPLICE, BUTT, SOLISTRAND™
FOR APPLICATION TOOLING INFORMATION	TOOLING ASSISTANCE CENTER 1-800-722-1111	CIRCULAR MIL AREA: 26.7-42.4mm² [52,600-83,700] CIR MILS SOLID OR STRANDED	
FOR ORDER ENTRY	1-800-526-5142	FINISH TIN PLATE 0.00254 [0.00100] MIN THK PER MIL-T-10727	SIZE B CAGE CODE 00779 DRAWING NO C=35189 SCALE 2:1 SHEET 1 OF 1

AMP 1470-15 REV 3-92 24-MAR-97 13:09:54 amp26463 /ws/dept1123/dwg1123/u.solistrand/u.butt-splice CUSTOMER DRAWING