

4

3

2

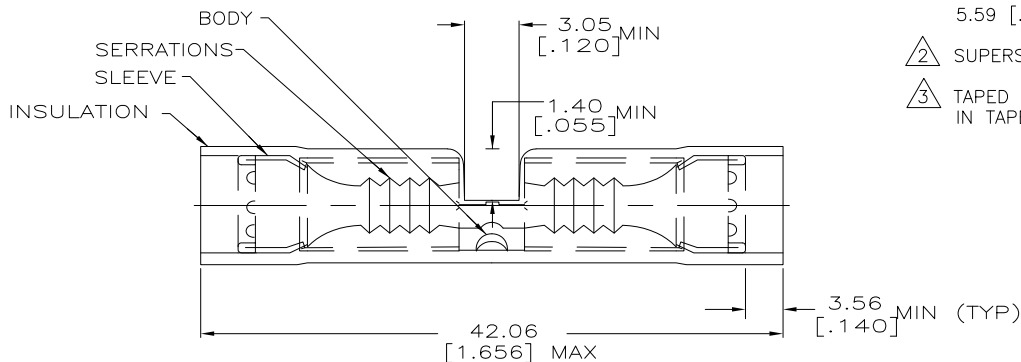
1

THIS DRAWING IS UNPUBLISHED. RELEASED FOR PUBLICATION
 © COPYRIGHT - By - ALL RIGHTS RESERVED.

LOC	DIST	REVISIONS			
P	LTR	DESCRIPTION	DATE	DMN	APVD
G	14	V1	REVISED PER ECO-11-004587	11MAR11	RK HMR

300 VOLT MAX		
AMP WIRE RANGE	Listed FILE E13288	LR7189 Certified
12-10 AWG SOLID OR STRANDED	12-10 AWG SOLID OR STRANDED	12-10 AWG SOLID OR STRANDED

300 VOLT MAX		
AMP WIRE RANGE	Listed FILE E13288	LR7189 Certified
12-10 AWG STRANDED	12-10 AWG STRANDED	12-10 AWG STRANDED



1 WIRE INSULATION DIA 3.81 [.150] TO 5.59 [.220].

2 SUPERSEDED BY 8-320570-2

3 TAPED PART LONG, CRIMP ONLY IN TAPETRONICS.

MILITARY PART NUMBER & CLASS PER MIL-T-7928	QTY	PACKAGE TYPE	PART NUMBER
-	1000	BULK, LOOSE PIECE	8-320570-5
-	1500	ON TAPE, REEL	3 2-320570-3
-	5	LOOSE PIECE, BLS	8-320570-4 2
-	50	LOOSE PIECE, BOX	8-320570-2
M7928/5-5 CLASS 1 & 2	50	LOOSE PIECE	320570

AMP INCORPORATED
CUSTOMER SERVICE SYSTEMS

FOR ADDITIONAL PRODUCT INFORMATION OR COPIES OF DRAWINGS AND TECHNICAL DOCUMENTS
 PRODUCT INFORMATION CENTER
 1-800-522-6752

FOR APPLICATION TOOLING ASSISTANCE CENTER
 TOOLING INFORMATION
 1-800-722-1111

FOR ORDER ENTRY
 1-800-526-5142

MAX RECOMMENDED OPERATING TEMPERATURE:
 105° C

VOLTAGE RATING:
 600V MAX
 1000V MAX (FIXTURE OR SIGN)

CIRCULAR MIL AREA:
 2.62-6.64mm² [5,180-13,100]

THIS DRAWING IS A CONTROLLED DOCUMENT.

DIMENSIONS: MM [INCHES]

TOLERANCES UNLESS OTHERWISE SPECIFIED:
 0 PLC ± -
 1 PLC ± -
 2 PLC ± 0.20[.008]
 3 PLC ± -
 4 PLC ± -
 ANGLES ± -

MATERIAL: COPPER ASTM B-152

FINISH: TIN PLATE

OWN: S.S. GOULDEN 9-28-93
 CHK: R. HERSEY 9-28-93
 APVD: T. MICHIELLUTI 9-28-93

TE Connectivity

NAME: SPLICE, BUTT, PIDG, WIRE SIZE: 12-10 AWG

APPLICATION SPEC: -

SIZE: A3 CAGE CODE: 00779 DRAWING NO: C-320570 RESTRICTED TO: -

WEIGHT: -

CUSTOMER DRAWING SCALE: 1:1 SHEET: 1 of 1 REV: V1