

4

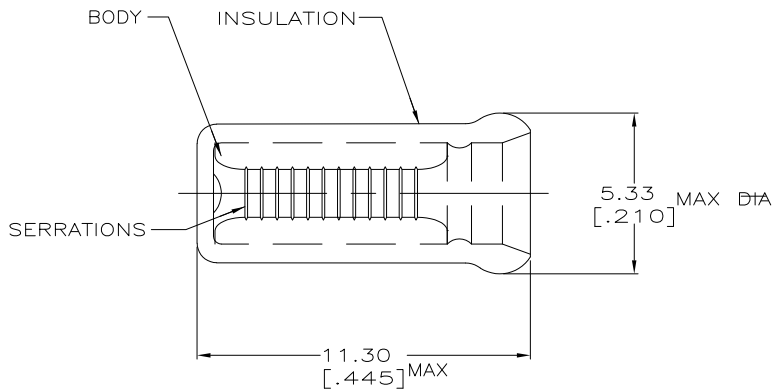
3

2

1

THIS DRAWING IS UNPUBLISHED. RELEASED FOR PUBLICATION  
 © COPYRIGHT - By - ALL RIGHTS RESERVED.

LOC	DIST	REVISIONS				
P	LTR	DESCRIPTION	DATE	DWN	APVD	
G	14	F1	REVISED PER ECO-11-004820	11MAR11	RK HMR	



1. USE FOR STRIPPED (SINGLE) WIRE END ONLY
2. WIRE INSUL DIA, 3.15 [.124] MAX

-	100	LOOSE PIECE, BOX	8-328307-1
MS25274/2 CLASS 1 & 2	1000	LOOSE PIECE	328307
MILITARY P/N & CLASS	QTY	PACKAGE TYPE	PART NO

AMP INCORPORATED CUSTOMER SERVICE SYSTEM		MAX RECOMMENDED OPERATING TEMPERATURE: 105°C [221°F]	THIS DRAWING IS A CONTROLLED DOCUMENT.		DWN L. OLMEDA 21MAR96	TE Connectivity	NAME	SIZE	CAGE CODE	DRAWING NO	RESTRICTED TO
FOR ADDITIONAL PRODUCT INFORMATION OR COPIES OF DRAWINGS AND TECHNICAL DOCUMENTS	PRODUCT INFORMATION CENTER 1-800-522-6752	VOLTAGE RATING: -	DIMENSIONS: mm [INCHES]	TOLERANCES UNLESS OTHERWISE SPECIFIED:	CHK M. ELLIS 21MAR96						
FOR APPLICATION TOOLING INFORMATION	TOOLING ASSISTANCE CENTER 1-800-722-1111	CIRCULAR MIL AREA: 0.26mm² - 1.65mm² [509-3,248]			0 PLC ± - 1 PLC ± - 2 PLC ± 0.20 [.008] 3 PLC ± - 4 PLC ± - ANGLES ± -	PRODUCT SPEC	APPLICATION SPEC	WEIGHT	-	-	-
FOR ORDER ENTRY	1-800-526-5142	MATERIAL BODY, CU PER ASTM B152 INSUL, NYLON, COLOR, RED	FINISH BODY, TIN PLATE PER MIL-T-10727		CUSTOMER DRAWING	SCALE	8:1	SHEET	1 of 1	REV	F1

1470-19 (3/11)