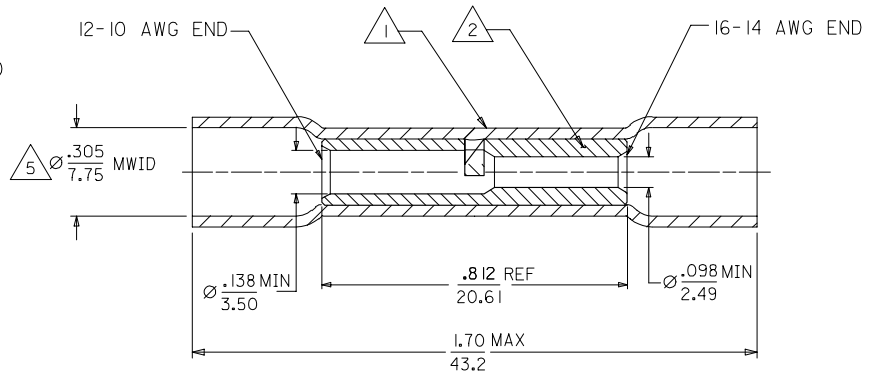
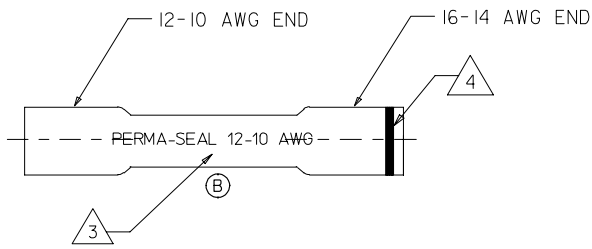


MATERIAL NUMBER	ENGINEERING NUMBER
I91640077	SBA-646



NOTES.

- 1. INSULATION MATERIAL: HEAT SHRINKABLE TUBING WITH HOTMELT INNER LINER. COLOR YELLOW.
- 2. SEAMLESS TIN PLATED COPPER TERMINAL.
- 3. PRINTED TEXT IN BLACK .06 HIGH AS SHOWN. DIRECTION CAN BE REVERSED DUE TO MFG PROCESSES.
- 4. BLUE STRIPE ORIENTATED ON 16-14 AWG END OF CONNECTOR.
- 5. MWID-MAXIMUM WIRE INSULATION DIAMETER.

SALES DRAWING

ADD'D PERMA-SEAL EC NO: ETC2005-0220 DRAWN BY: RYAN WARRICK 2005/06/16 CHECKED BY: CHYCHBERGROSS 2005/06/16 APPROVED BY: RDEROSS 2005/06/20 REV DESCRIPTION	QUALITY SYMBOLS	GENERAL TOLERANCES (UNLESS SPECIFIED)	DIMENSION STYLE	SCALE	DESIGN UNITS	THIRD ANGLE PROJECTION	
	$\nabla=0$ $\sphericalangle=0$	mm INCH 4 PLACES ± --- ± --- 3 PLACES ± --- ± --- 2 PLACES ± --- ± --- 1 PLACE ± --- ± --- ANGULAR ±1/2°	IN/MM	---	INCH	DRAWN BY: BENDERLE 2002/10/01 CHECKED BY: HBEITZEL 2002/10/01 APPROVED BY: RDEROSS 2002/10/01	TITLE: STEP DOWN BUTT SPLICE PERMA-SEAL NIAC 12-10 AWG 16-14 AWG MOLEX INCORPORATED
	DRAFT WHERE APPLICABLE MUST REMAIN WITHIN DIMENSIONS	SEE CHART	MATERIAL NO.	DOCUMENT NO.	SHEET NO.		
					1 OF 1		