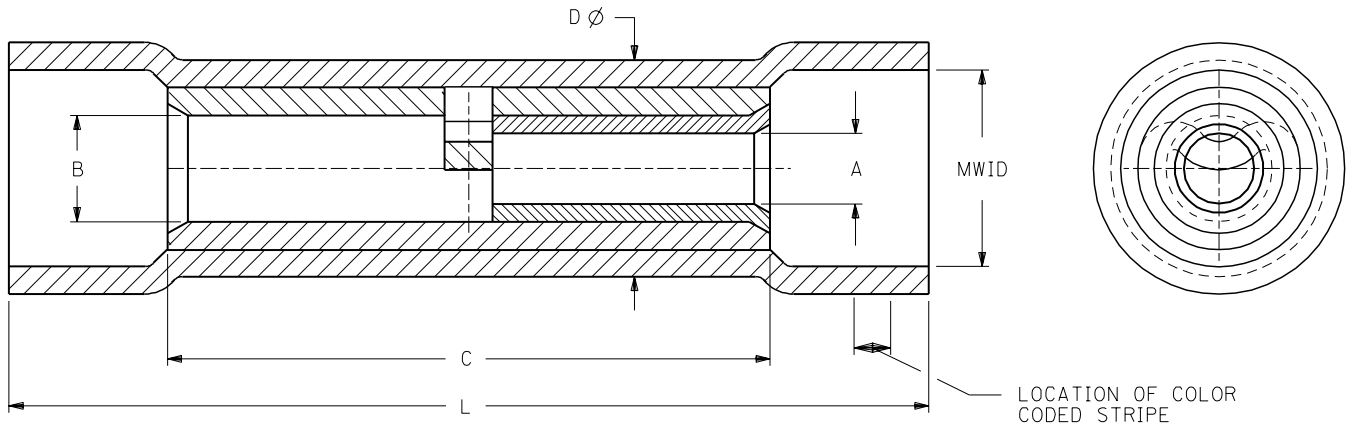


DRWG. NO. CD-21001



MATERIAL:  
 BUTT SPLICE: COPPER, ELECTRO-TIN PLATED  
 INSULATION: PVC

PART NO.	INSULATION COLOR	CODE STRIPE COLOR	"A"		"B"		"C" MAX.	"D" MAX.	MWID	"L" MAX.
			AWG.	MIN. DIA.	AWG.	MIN. DIA.				
BA-631X	BLUE	RED	22-18	.065	16-14	.091	.675	.230	.175	1.08
CB-646X	YELLOW	BLUE	16-14	.091	12-10	.138	.827	.295	.260	1.30
DC-654X	RED	YELLOW	12-10	.138	#8	.165	.854	.360	.380	1.50
ED-662X	BLUE	RED	#8	.175	#6	.222	1.045	.427	.435	1.84

MWID=MAXIMUM WIRE INSULATION DIAMETER

REVISE ONLY ON CAD SYSTEM TITLE <b>STEP DOWN BUTT          CONNECTOR          INSULKRIMP</b>			<b>CUSTOMER          DRAWING</b>		DRWG. BY RCM CHK'D. BY APP'D. BY SCALE NO:NE	 PINELLAS PARK, FLA. 34665 U.S.A.	SHEET NO. DATE 10/28/91	DRWG. NO. <b>CD-21001</b>	FILE NAME CD21001	THIS DRAWING CONTAINS INFORMATION THAT IS PROPRIETARY TO MOLEX-ETC INC. AND SHOULD NOT BE USED WITHOUT WRITTEN PERMISSION.	DIV. SIZE A
--	--	--	--------------------------------------	--	---	--------------------------------------	-------------------------------	------------------------------	----------------------	--	-------------------