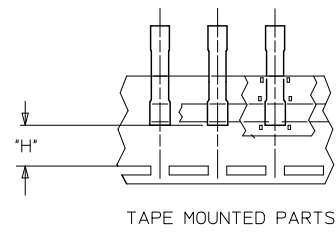
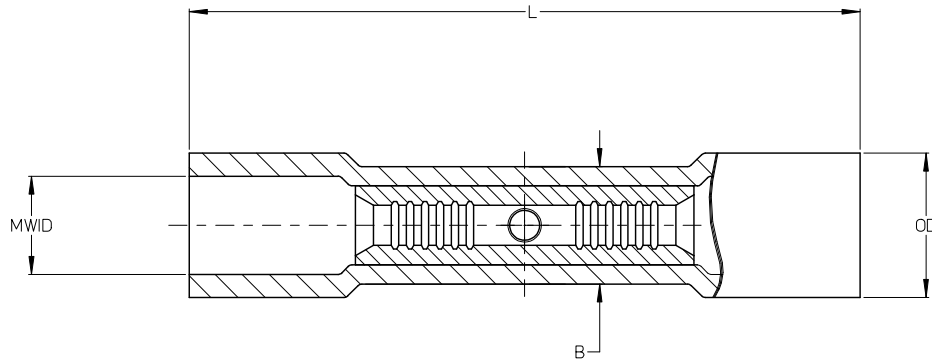


| LOOSE PIECE  |                 | TAPE MOUNTED |                 | DIMENSIONS |          |           |         |           |          | COLOR  |
|--------------|-----------------|--------------|-----------------|------------|----------|-----------|---------|-----------|----------|--------|
| MATERIAL NO. | ENGINEERING P/N | MATERIAL NO. | ENGINEERING P/N | MWID       | OD (MAX) | L (MAX)   | B (MAX) | ID (MIN)  | H (NOM)  |        |
| 191540004    | A-245X          | 191540006    | A-245XT         | .150/3.81  | .24/6.1  | .97/24.6  | .20/5.1 | .060/1.52 | .49/12.4 | RED    |
| 191540015    | B-231X          | 191540017    | B-231XT         | .175/4.45  | .27/6.9  | .98/24.9  | .24/6.1 | .080/2.03 | .49/12.4 | BLUE   |
| 191540028    | C-246X          | 191540030    | C-246XT         | .260/6.60  | .36/9.2  | 1.14/29.0 | .30/7.6 | .125/3.17 | .43/10.9 | YELLOW |



- NOTES:
1. MATERIALS: PVC INSULATION OVER TIN-PLATED COPPER SPLICE.
  2. COLOR: SEE CHART.
  3. MWID = MAXIMUM WIRE INSULATION DIAMETER
  4. PARTS ARE ROHS COMPLIANT.

|   |   |   |   |  |                              |                        |  |
|---|---|---|---|--|------------------------------|------------------------|--|
| <b>REDRAW</b><br>EC NO: WNAZ009-0865<br>DRAWN BY: ETHRODAHL 2009/07/09<br>CHKD: JMACNEIL 2009/07/09<br>APPR: JMACNEIL 2009/07/09<br>REV A | QUALITY SYMBOLS<br>▽=0<br>▽=0   | GENERAL TOLERANCES (UNLESS SPECIFIED)<br>4 PLACES ± --- ± ---<br>3 PLACES ± --- ± .005<br>2 PLACES ± 0.13 ± .01<br>1 PLACE ± 0.25 ± ---<br>ANGULAR ± 1/2° | DIMENSION STYLE<br>IN/MM                  | SCALE<br>1:1                               | DESIGN UNITS<br>INCH         | THIRD ANGLE PROJECTION |  |
|   | DRAWN BY: ETHRODAHL<br>DATE: 2009/06/23   | CHECKED BY: JMACNEIL<br>DATE: 2009/06/24  | APPROVED BY: JMACNEIL<br>DATE: 2009/06/24 | TITLE<br>BUTT SPLICE CONNECTOR, INSULKRIMP |                              |                        |  |
|   | DRAFT WHERE APPLICABLE MUST REMAIN WITHIN DIMENSIONS  |   |   | MATERIAL NO.<br>SEE CHART                  | DOCUMENT NO.<br>SD-19154-006 | SHEET NO.<br>1 OF 1    |  |
|   | THIS DRAWING CONTAINS INFORMATION THAT IS PROPRIETARY TO MOLEX INCORPORATED AND SHOULD NOT BE USED WITHOUT WRITTEN PERMISSION |   |   |  |                              |                        |  |