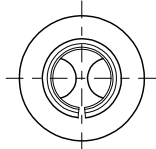
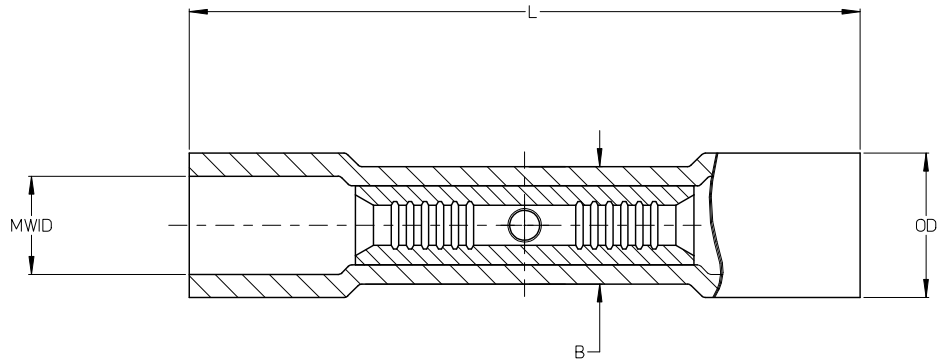
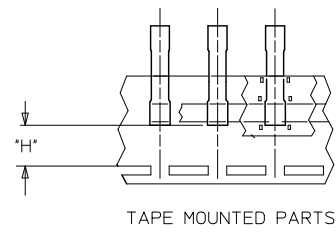


LOOSE PIECE		TAPE MOUNTED		DIMENSIONS						COLOR
MATERIAL NO.	ENGINEERING P/N	MATERIAL NO.	ENGINEERING P/N	MWID	OD (MAX)	L (MAX)	B (MAX)	ID (MIN)	H (NOM)	
191540004	A-245X	191540006	A-245XT	.150/3.81	.24/6.1	.97/24.6	.20/5.1	.060/1.52	.49/12.4	RED
191540015	B-231X	191540017	B-231XT	.175/4.45	.27/6.9	.98/24.9	.24/6.1	.080/2.03	.49/12.4	BLUE
191540028	C-246X	191540030	C-246XT	.260/6.60	.36/9.2	1.14/29.0	.30/7.6	.125/3.17	.43/10.9	YELLOW



- NOTES:
1. MATERIALS: PVC INSULATION OVER TIN-PLATED COPPER SPLICE.
  2. COLOR: SEE CHART.
  3. MWID = MAXIMUM WIRE INSULATION DIAMETER
  4. PARTS ARE ROHS COMPLIANT.

<b>REDRAW</b> EC NO: WNAZ009-0865 DRAWN BY: ETHRODAHL 2009/07/09 CHKD: JMACNEIL 2009/07/09 APPR: JMACNEIL 2009/07/09 REV: A	QUALITY SYMBOLS ▽=0 ▽=0	GENERAL TOLERANCES (UNLESS SPECIFIED) 4 PLACES ± --- ± --- 3 PLACES ± --- ± .005 2 PLACES ± 0.13 ± .01 1 PLACE ± 0.25 ± --- ANGULAR ± 1/2°	DIMENSION STYLE IN/MM	SCALE 1:1	DESIGN UNITS INCH	THIRD ANGLE PROJECTION	
	DRAWN BY: ETHRODAHL DATE: 2009/06/23	CHECKED BY: JMACNEIL DATE: 2009/06/24	APPROVED BY: JMACNEIL DATE: 2009/06/24	TITLE: BUTT SPLICE CONNECTOR, INSULKRIMP			
	DRAFT WHERE APPLICABLE MUST REMAIN WITHIN DIMENSIONS			MATERIAL NO. SEE CHART	DOCUMENT NO. SD-19154-006	SHEET NO. 1 OF 1	
	THIS DRAWING CONTAINS INFORMATION THAT IS PROPRIETARY TO MOLEX INCORPORATED AND SHOULD NOT BE USED WITHOUT WRITTEN PERMISSION						