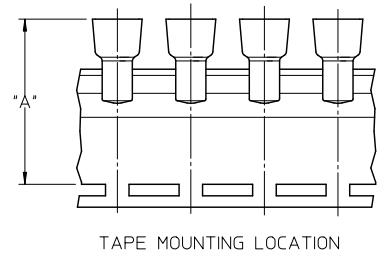
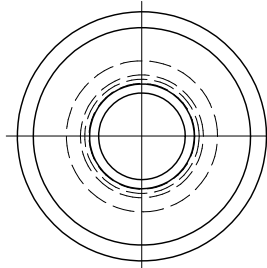
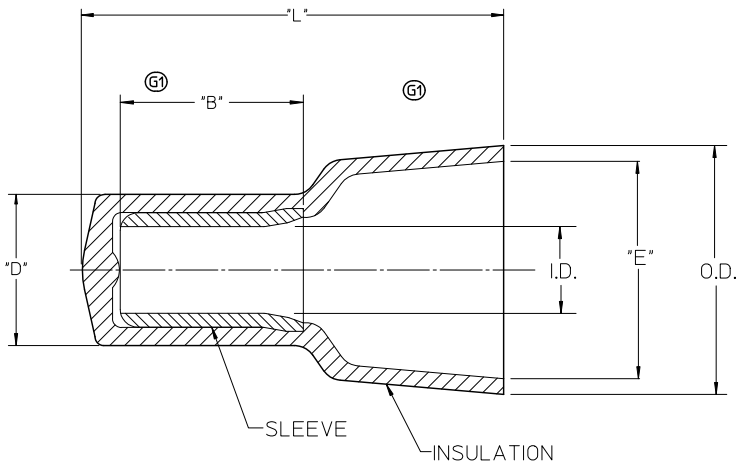


10		9		8		7		6		5		4		3		2		19160		
LOOSE PIECE				TAPE MOUNTED				"L" MAX.	"B" MIN $\text{\textcircled{G1}}$	"D" MAX.	"E" MIN.	I.D. MIN.	O.D. MAX.	"A" DIM $\pm .02/0.5 \text{\textcircled{G1}}$						
MATERIAL NO.	ENG. NO.	MATERIAL NO.	ENG. NO.																	
191600012	NC-2214	191600070	NC-2214T	.62/15.7	.30/7.6	.19/4.8	.24/6.1	.09/2.3	.32/8.1	1.54/39.2										
191600009	NC-2212	191600071	NC-2212T	.76/19.3	.30/7.6	.23/5.8	.27/6.9	.10/2.5	.36/9.1	1.63/41.4										
191600002	NC-1610	191600083	NC-1610T	.90/22.8	.28/7.1	.28/7.1	.38/9.6	.15/3.8	.45/11.4	1.75/44.5										
191600024	NC-8	191600028	NC-8T	1.10/27.9	.42/10.6	.36/9.1	.48/12.2	.21/5.3	.57/14.5	1.86/47.4										



NOTES:

- MATERIAL: SLEEVE: TIN-PLATED COPPER
INSULATION: 6/6 NYLON,
NATURAL TRANSLUCENT
- PARTS ARE ROHS COMPLIANT.

SALES DRAWING

CORRECT TOLERANCES EC NO: WNA2010-0673 DRAWN: THRODAHL 2010/05/07 CHECKED: DEROSS 04/02/23 APPR: JACQUELLE 2010/06/23 DESCRIPTION REV G1	QUALITY SYMBOLS $\blacktriangledown=0$ $\nabla=0$	GENERAL TOLERANCES (UNLESS SPECIFIED) <table border="1"> <thead> <tr> <th></th> <th>mm</th> <th>INCH</th> </tr> </thead> <tbody> <tr> <td>4 PLACES</td> <td>\pm----</td> <td>\pm----</td> </tr> <tr> <td>3 PLACES</td> <td>\pm----</td> <td>\pm----</td> </tr> <tr> <td>2 PLACES</td> <td>\pm----</td> <td>\pm----</td> </tr> <tr> <td>1 PLACE</td> <td>\pm----</td> <td>\pm----</td> </tr> <tr> <td colspan="3">ANGULAR \pm-----°</td> </tr> </tbody> </table>		mm	INCH	4 PLACES	\pm ----	\pm ----	3 PLACES	\pm ----	\pm ----	2 PLACES	\pm ----	\pm ----	1 PLACE	\pm ----	\pm ----	ANGULAR \pm -----°			DIMENSION STYLE IN/MM DRAWN BY: H. BEITZE DATE: 04/02/23 CHECKED BY: R. DEROSS DATE: 04/02/23 APPROVED BY: R. DEROSS DATE: 04/02/23	SCALE 5:1 DESIGN UNITS INCH THIRD ANGLE PROJECTION	TITLE CLOSED END CONNECTORS NYLON INSULATED MOLEX INCORPORATED	MATERIAL NO. SD-19160-001 DOCUMENT NO. SD-19160-001 SHEET NO. 1 OF 1
		mm	INCH																					
	4 PLACES	\pm ----	\pm ----																					
	3 PLACES	\pm ----	\pm ----																					
2 PLACES	\pm ----	\pm ----																						
1 PLACE	\pm ----	\pm ----																						
ANGULAR \pm -----°																								
DRAFT WHERE APPLICABLE MUST REMAIN WITHIN DIMENSIONS		SEE CHART	THIS DRAWING CONTAINS INFORMATION THAT IS PROPRIETARY TO MOLEX INCORPORATED AND SHOULD NOT BE USED WITHOUT WRITTEN PERMISSION																					
		SIZE B																						