

THIS DRAWING IS A CONTROLLED DOCUMENT FOR AMP INCORPORATED. IT IS SUBJECT TO CHANGE AND THE CONTROLLING ENGINEERING ORGANIZATION SHOULD BE CONTACTED FOR THE LATEST REVISION.

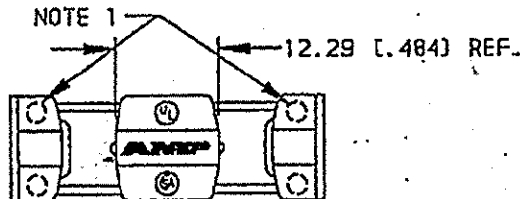
DRAWING MADE IN THIRD ANGLE PROJECTION

LOC	DIST	P	F	REVISIONS				
LTR	DESCRIPTION	DATE	APPROVED					
G	25			L	REV; EC 0230-0327-95	03 SEPT 96	DS / EH	
				M	REV PER CG3A-0255-03	23 APR 03	JL / TM	

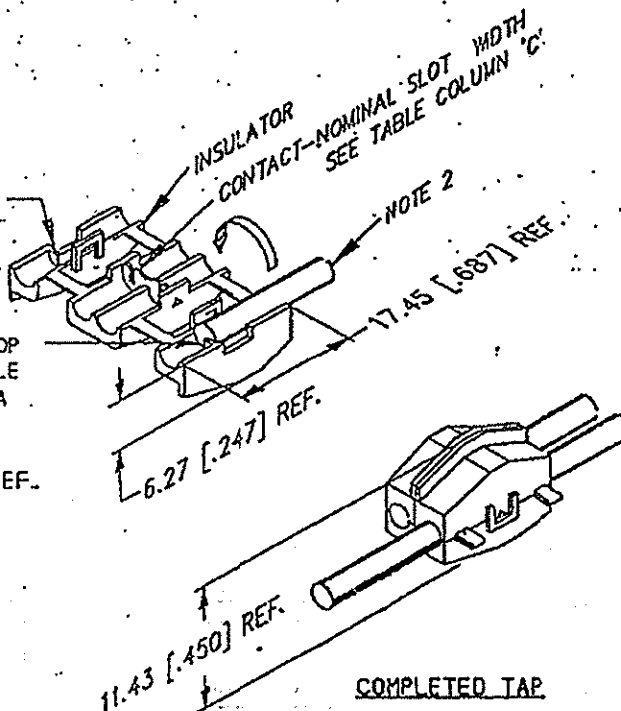
- NOTES:
1. DOTTED CIRCLES SHOW APPROX. LOCATION OF WIRE RANGE IDENTIFIERS.
  2. 4.06 (.160) MAX. INSULATION DIA.
  3. UL AND CSA LOGOS TO APPEAR ON HOUSING AS SHOWN.
  4. \* PART NUMBER OBSOLETE.
  5. 100 PIECES IN A BOX.
  6. 5 PIECES IN A PRINTED POLY BAG WITH A PEG HOLE.

WIRE STOP  
SEE TABLE  
COLUMN B.

WIRE STOP  
SEE TABLE  
COLUMN A.



BOTTOM VIEW



COMPLETED TAP

53440-2 PER NOTE 6	0.51	[.020]	NO	YES	RED	0.5-0.8	[20-18]	53440-0* OBS.
53440-2 PER NOTE 5	0.51	[.020]	NO	YES	RED	0.5-0.8	[20-18]	53440-9
53440-1 PER NOTE 6	0.71	[.020]	NO	YES	BLUE	0.8-2	[18-14]	53440-8* OBS.
53440-1 PER NOTE 5	0.71	[.028]	NO	YES	BLUE	0.8-2	[18-14]	53440-7
OBSOLETE	0.51	[.020]	NO	NO	RED	0.5-0.8	[20-18]	53440-6*
OBSOLETE	0.71	[.028]	NO	NO	BLUE	0.8-2	[18-14]	53440-5*
OBSOLETE	0.71	[.028]	YES	YES	BLUE	0.8-2	[18-14]	53440-4*
OBSOLETE	0.51	[.020]	YES	YES	RED	0.5-0.8	[20-18]	53440-3*
	0.51	[.020]	NO	YES	RED	0.5-0.8	[20-18]	53440-2
	0.71	[.028]	NO	YES	BLUE	0.8-2	[18-14]	53440-1

PACKAGING	C	B	A	COLOR	mm <sup>2</sup> WIRE SIZE	ANG	PART NO
-----------	---	---	---	-------	---------------------------	-----	---------

DO NOT SCALE PRINT, UNLESS SPECIFIED DIMENSIONS IN mm (1/16) TOLERANCES ON:  
2 PLC DEC \*  
3 PLC DEC \*  
ANGLES \*

DR MIDDLETOWN CAD 8/23/90  
CHK B.J.H. 4-20-92  
APPD

**AMP** AMP Incorporated  
Harrisburg, PA 17105-3608

MATERIAL  
BRASS (MIL-C-50)  
ON (MIL-M-20693A)

APPD F. HARNED 8/90  
PRODUCT SPEC

NAME  
**ELECTRO - TAP**

FINISH  
AMP SPEC 112-16

APPLICATION SPEC  
WEIGHT 2.18 g

SIZE	CAGE CODE	DRAWING NO
A	00779	C-53440
SCALE	SHEET	
NTS	1 of 1	

AMP 1469-32 REV 3-92

CAACAD12VAHPACS3440 09/29/93 .1007

CUSTOMER DRAWING