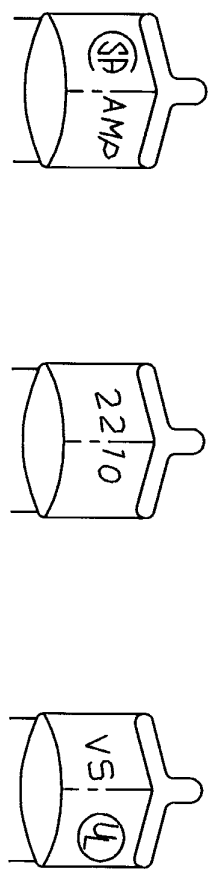


THIS DRAWING IS UNPUBLISHED. RELEASED FOR PUBLICATION
 © COPYRIGHT 19 BY AMP INCORPORATED. ALL INTERNATIONAL RIGHTS RESERVED.

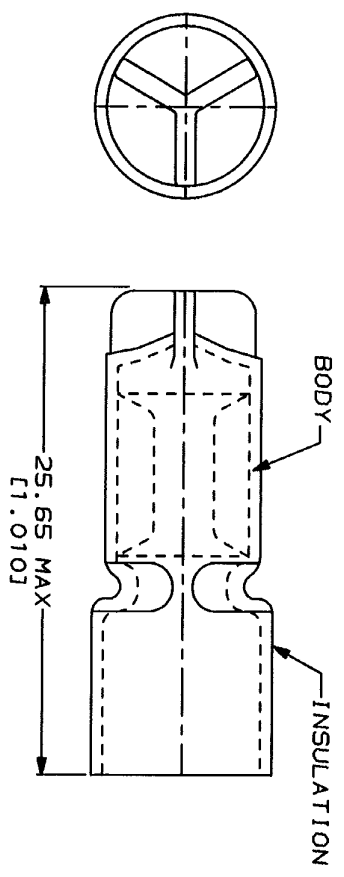
LOC DIST
 G 14

ZONE	LTR	REV	DATE	APPD
M		0720-0071-93	5/93	

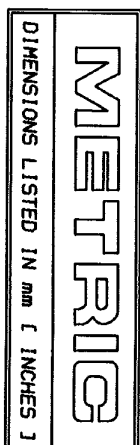
REVISIONS
 DESCRIPTION



STAMPING DETAIL



NOTES:
 1. WIRE INSULATION OPENING 7.62mm [.300]



AMP WIRE RANGE 22-10 AWG SOLID OR STRANDED	UL Listed 22-10 AWG SOLID OR STRANDED	UL Certified LR7189 22-10 AWG SOLID OR STRANDED
--	--	---

AMP INCORPORATED
 CUSTOMER SERVICE SYSTEMS

FOR ADDITIONAL PRODUCT INFORMATION OR COPIES OF DRAWINGS AND TECHNICAL DOCUMENTS	1-800-522-6752	PRODUCT INFORMATION CENTER
FOR APPLICATION	1-800-722-1111	TOOLING ASSISTANCE CENTER
FOR ORDER ENTRY	1-800-526-5142	

MAX RECOMMENDED OPERATING TEMPERATURE: 90°C MAX
 VOLTAGE RATING: 300V MAX
 CIRCULAR MIL AREA: 2.62-5.64mm² [5190-13100] SOLID OR STRANDED
 FINISH: MIL-T-10727
 SPliced, TIN PLATED

DO NOT SCALE PRINT. DIMENSIONS SPECIFIED UNLESS OTHERWISE NOTED. TOLERANCES ON: 2 PL DEC & 0.20L (0.002) ANGLES 0 -	OR 1/32 OR 6 DENSER	DR	50	LOOSE PC, BOX	8-34865-2
MATERIAL: BODY: COPPER INSULATION: PVC COLOR: YELLOW	OR 1/32 OR 6 DENSER	QTY		LOOSE PC	34865
APPLICATION SPEC	NAME: AMP	DESCRIPTION	SIZE: B	AMP Incorporated	PART NO
	SPlice, WIRE, CLOSED END		CAGE CODE: 00779	Harrisburg, PA 17105-3608	
			DRAWING NO: 34865		
			SHEET: 1 OF 1		

AMP 1470-15 REV 3-82 07 MAY 1993 08:25:31 AMP12368 <DUJ28A>DEPT1132-U.DWG1132-U.RBY-U. Q.05ED-5ND-U.CUST
 CUSTOMER DRAWING