

4

3

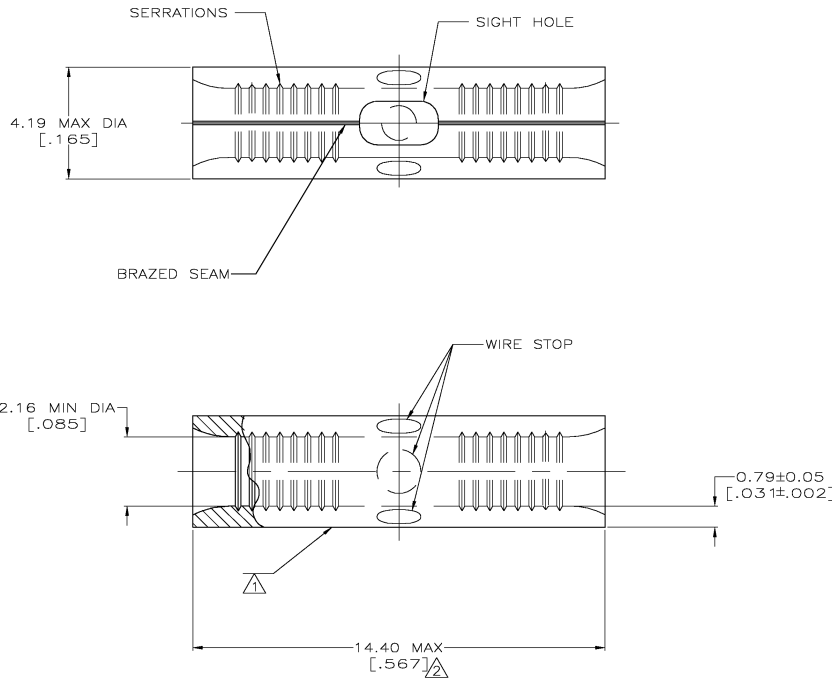
2

1

THIS DRAWING IS UNPUBLISHED. RELEASED FOR PUBLICATION. COPYRIGHT BY TYCO ELECTRONICS CORPORATION. ALL RIGHTS RESERVED.

LOC	DIST	REVISIONS			
P	LTR	DESCRIPTION	DATE	BY	APP'D
G	14	REV PER 063A-0035-05	28/FEB/05	JR	MJS

AMP WIRE RANGE	Listed FILE E1328B	LR7189 Certified
16-14 AWG SOLID OR STRANDED	16-14 AWG SOLID OR STRANDED	16-14 AWG SOLID OR STRANDED



- 1 STAMP AMP 16-14* APPROX AS SHOWN
- 2 MAXIMUM LENGTH DOES NOT INCLUDE MANUFACTURING TABS
- 3 TIN PLATE 0.00254 [.000100] MIN THK PER ASTM B-545
- 4 GOLD PLATE 0.00127 [.000050] MIN THK PER ASTM B-488 OVER NICKEL PLATE 0.00127 [.000050] MIN PER QQ-N-290.
- 5 COPPER PER ASTM B-152, ANNEALED
- 6 PRELIMINARY - NOT FOR PRODUCTION

3	100	LOOSE PIECE, BOX	8-330368-1
4	---	LOOSE PIECE	330368-1
3	---	LOOSE PIECE	330368
FINISH	QTY	PACKAGING TYPE	PART NO.

AMP INCORPORATED CUSTOMER SERVICE SYSTEMS		MAX RECOMMENDED OPERATING TEMPERATURE: 170°C MAX
FOR ADDITIONAL PRODUCT INFORMATION OR COPIES OF DRAWINGS AND TECHNICAL DOCUMENTS	PRODUCT INFORMATION CENTER 1-800-522-6752	VOLTAGE RATING: N/A
FOR APPLICATION	TOOLING ASSISTANCE CENTER 1-800-722-1111	CIRCULAR MIL AREA: 1.04-2.65mm ² [0.050-3.180] SOLID OR STRANDED
FOR ORDER ENTRY	1-800-526-5142	THIS DRAWING IS A CONTROLLED DOCUMENT FOR AMP INCORPORATED. IT IS SUBJECT TO CHANGE AND THE CONTROLLING ENGINEERING ORGANIZATION SHOULD BE CONTACTED FOR THE LATEST REVISION.

THIS DRAWING IS A CONTROLLED DOCUMENT.		DATE: 4-13-93		Tyco Electronics Corporation Harrisburg, Pa 17105-3608
DRW: TA BRINKMAN	4-13-93	CK: JA PATTERSON		4-13-93
DIMENSIONS: (INCHES)	0.0005	0.0010	0.0020	0.0050
MATERIAL:	SEE TABLE	FINISH:	APPLICATION SPEC:	HEIGHT:
CUSTOMER DRAWING		SCALE: 10:1	SHEET: 1 OF 1	REV: G

AMP 1421-9 REV 31MAR2000

330368

A