

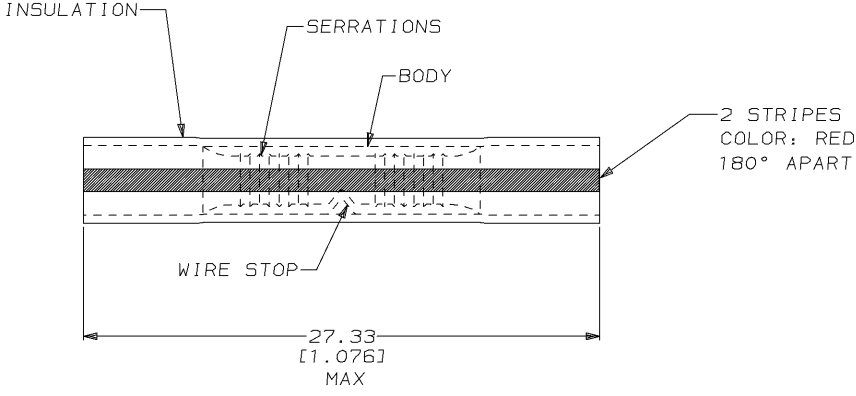
DRAWING MADE IN THIRD ANGLE PROJECTION

THIS DRAWING IS UNPUBLISHED. RELEASED FOR PUBLICATION, 1995.
 © COPYRIGHT 1995 BY AMP INCORPORATED. ALL INTERNATIONAL RIGHTS RESERVED.

LOC	DIST	P	F	ZONE	LTR	REVISIONS	DATE	APPD
G	14				E	REV/ 0720-0612-95	31MAY95	SB

PART NO	PACKAGE TYPE	QTY
8-55792-1	LOOSE PIECE, BOX	100
8-55792-4	LOOSE PIECE, BLS	5
8-55792-5	LOOSE PIECE, BAG	25
9-55792-4	LOOSE PIECE, BLS	25

1. WIRE INSUL DIA, 2.67-3.56 [.105-.140]



2500	ON TAPE, REEL	BODY: COPPER PER ASTM B-152 TIN PL 0.00254 [.000100] MIN THK PER MIL-T-10727	55792-2
1000	LOOSE PIECE	INSULATION: VINYL COLOR: TRANSPARENT	55792-1
QTY	PACKAGE TYPE	MATERIAL & FINISH	PART NO
DO NOT SCALE PRINT. UNLESS SPECIFIED DIMENSIONS IN mm (INCHES) TOLERANCES ON: 2 PLC DEC ± - 3 PLC DEC ± - ANGLES ± -		DR 9/14/90 DK SCHUBH CHK 9/14/90 NS FEHER APPD 9/14/90 PJ RIELIUS APPD 9/19/90 TL SHUTTER PRODUCT SPEC UL 486A	AMP Incorporated Harrisburg, PA 17105-3608
MATERIAL SEE TABLE		NAME SPLICE, BUTT, PLASTI-GRIP™ WIRE SIZE, 22-16 AWG	
FINISH SEE TABLE		SIZE B	CAGE CODE 00779
		APPLICATION SPEC -	DRAWING NO C=55792
		WEIGHT -	SCALE 5:1
			SHEET 1 OF 1

THIS DRAWING IS A CONTROLLED DOCUMENT FOR AMP INCORPORATED. IT IS SUBJECT TO CHANGE AND THE CONTROLLING ENGINEERING ORGANIZATION SHOULD BE CONTACTED FOR THE LATEST REVISION.

AMP 1470-15 REV 3-92
 05 MAY 1995 14:45:55 AMP10398 <UU128A>DEPT1132>U.DWG1132>U.RBY>U.PLASTI-GRIP>U.CUST

CUSTOMER DRAWING