

4

3

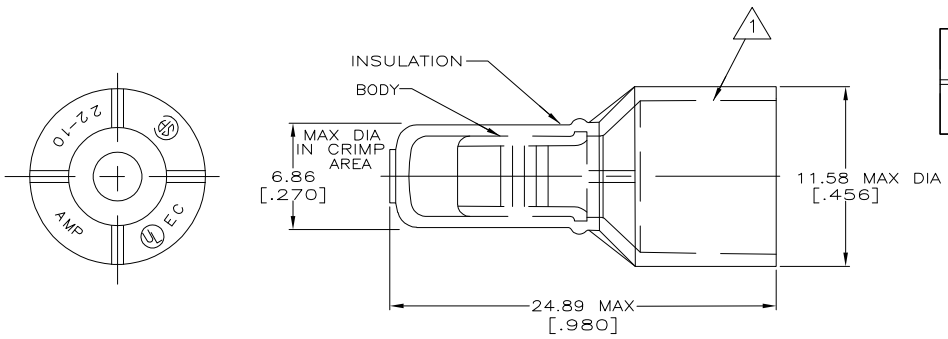
2

1

THIS DRAWING IS UNPUBLISHED. RELEASED FOR PUBLICATION  
 © COPYRIGHT - BY TYCO ELECTRONICS CORPORATION. ALL RIGHTS RESERVED.

LOC	DIST	REVISIONS				
P	LTR	DESCRIPTION	DATE	DWN	APVD	
G	14	D	REV PER ECR 05-018837	28DEC05	JR	TM

- △1 FOR 9.40 [.370] MAX WIRE INSULATION DIA
- △2 MATERIAL: BODY; COPPER PER ASTM B152 INSULATION; NYLON COLOR; BLACK
- △3 FINISH: BODY; TIN PL. PER ASTM B545
- △4 PRELIMINARY - NOT FOR PRODUCTION



<b>AMP</b> WIRE RANGE	Listed	LR7189 Certified
22-10 AWG SOLID OR STRANDED	22-10 AWG SOLID OR STRANDED	22-10 AWG SOLID OR STRANDED

1500	ON TAPE, REEL	△4 55929-2
1000	LOOSE PIECE	55929-1
QTY	DESCRIPTION	PART NO

<b>AMP INCORPORATED</b> <b>CUSTOMER SERVICE SYSTEMS</b>		MAX RECOMMENDED OPERATING TEMPERATURE: 150° C MAX	THIS DRAWING IS A CONTROLLED DOCUMENT.		OWN 3/10/93 LEMUEL OLMEDA CHK 1/6/94 R HERSEY APVD 1/6/94 M ELLIS PRODUCT SPEC UL 486 C APPLICATION SPEC	Tyco Electronics Corporation Harrisburg, PA 17105-3608
FOR ADDITIONAL PRODUCT INFORMATION OR COPIES OF DRAWINGS AND TECHNICAL DOCUMENTS 1-800-522-6752	PRODUCT INFORMATION CENTER 1-800-522-6752	VOLTAGE RATING: 600V MAX (BUILDING & WIRING) 1000V MAX (FIXTURES & SIGNS)	DIMENSIONS: INCHES	TOLERANCES UNLESS OTHERWISE SPECIFIED: 0 PLC ± - 1 PLC ± - 2 PLC ± 0.20[.008] 3 PLC ± - 4 PLC ± - ANGLES ± -	NAME SPLICE, CLOSED-END, WIRE SIZE: 22-10 AWG	SIZE CAGE CODE DRAWING NO A300779 C=55929
FOR APPLICATION TOOLING ASSISTANCE CENTER 1-800-722-1111	TOOLING INFORMATION 1-800-722-1111	CIRCULAR MIL AREA: 1.65-6.64mm² [3248-13100] SOLID OR STRANDED	MATERIAL	FINISH	RESTRICTED TO	WEIGHT -
FOR ORDER ENTRY 1-800-526-5142	THIS DRAWING IS A CONTROLLED DOCUMENT FOR AMP INCORPORATED. IT IS SUBJECT TO CHANGE AND THE CONTROLLING ENGINEERING ORGANIZATION SHOULD BE CONTACTED FOR THE LATEST REVISION.		MATERIAL - △2	FINISH - △3	CUSTOMER DRAWING	SCALE 4:1 SHEET 1 of 1 REV D

AMP 1470-19 REV 31MAR2000