

4

3

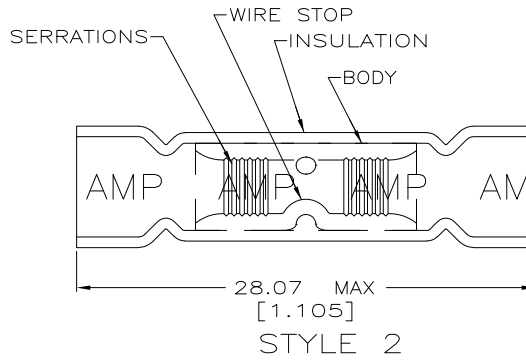
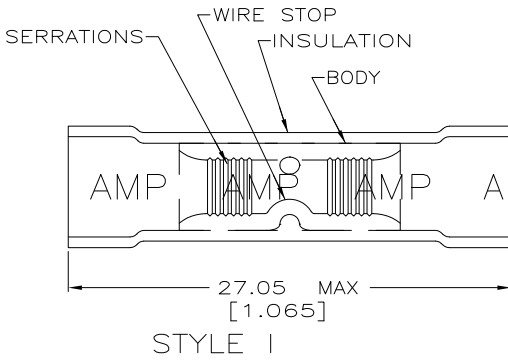
2

1

THIS DRAWING IS UNPUBLISHED. RELEASED FOR PUBLICATION  
 © COPYRIGHT - By - ALL RIGHTS RESERVED.

LOC	DIST	REVISIONS			
P	LTR	DESCRIPTION	DATE	DWN	APVD
G	14	M3	REVISED PER ECO-11-004820	11MAR11	RK HMR

AMP WIRE RANGE	Listed FILE E13288	LR7189 Certified
16-14 AWG SOLID OR STRANDED	16-14 AWG SOLID OR STRANDED	16-14 AWG SOLID OR STRANDED



1. WIRE INSUL DIA, 2.92-4.32 [.115-.170]
- △ TAPE, NO STICKY

1	50	LOOSE PIECE, BAG	8-34071-5
1	5	LOOSE PIECE, BLS	8-34071-4
1	100	LOOSE PIECE, BOX	8-34071-1
△ 2	2500	ON TAPE, REEL	4-34071-4
2	2500	ON TAPE, REEL	2-34071-3
2	1000	LOOSE PIECE	2-34071-2
1	2500	ON TAPE, REEL	2-34071-1
1	1000	LOOSE PIECE	34071
STYLE	QTY	PACKAGE TYPE	PART NO

AMP INCORPORATED CUSTOMER SERVICE SYSTEMS		MAX RECOMMENDED OPERATING TEMPERATURE: 90°C [194° F]	THIS DRAWING IS A CONTROLLED DOCUMENT.		DWN M ELLIS 19JUL95	TE Connectivity	
FOR ADDITIONAL PRODUCT INFORMATION OR COPIES OF DRAWINGS AND TECHNICAL DOCUMENTS	PRODUCT INFORMATION CENTER 1-800-522-6752	VOLTAGE RATING: 600V MAX (1000V FIXTURE OR SIGN)	DIMENSIONS: mm [INCHES]	TOLERANCES UNLESS OTHERWISE SPECIFIED:	CHK C PRESNELL 19JUL95	NAME	
FOR APPLICATION TOOLING INFORMATION	TOOLING ASSISTANCE CENTER 1-800-722-1111	CIRCULAR MIL AREA: 1.04-2.62mm² [2,050-5,180] SOLID OR STRANDED		0 PLC ± - 1 PLC ± - 2 PLC ± - 3 PLC ± - 4 PLC ± - ANGLES ± -	APVD S BORTNER 19JUL95	PRODUCT SPEC UL486A	
FOR ORDER ENTRY	1-800-526-5142	THIS DRAWING IS A CONTROLLED DOCUMENT FOR AMP INCORPORATED. IT IS SUBJECT TO CHANGE AND THE CONTROLLING ENGINEERING ORGANIZATION SHOULD BE CONTACTED FOR THE LATEST REVISION.	MATERIAL BODY, CU ASTM B 152 SLV, PVC, COLOR-BLUE	FINISH TIN PLATE ASTM B545	APPLICATION SPEC	SIZE A3	CAGE CODE 00779
					WEIGHT	DRAWING NO C-34071	RESTRICTED TO
					CUSTOMER DRAWING	SCALE 4:1	SHEET 1 of 1
					REV M3		