

4

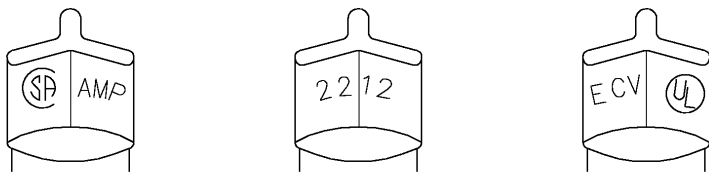
3

2

1

THIS DRAWING IS UNPUBLISHED. RELEASED FOR PUBLICATION  
 © COPYRIGHT - BY TYCO ELECTRONICS CORPORATION. ALL RIGHTS RESERVED.

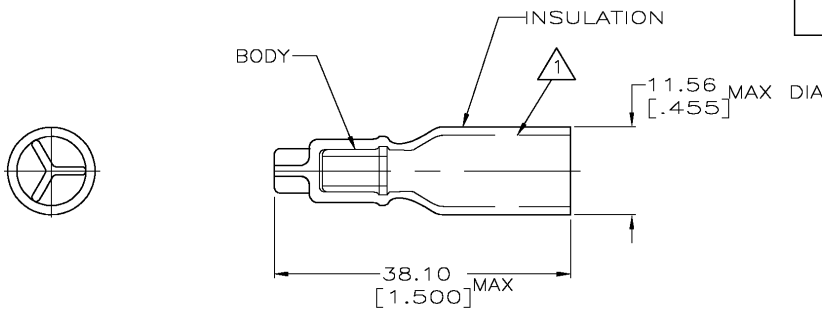
LOC	DIST	REVISIONS					
		P	LTR	DESCRIPTION	DATE	DWN	APVD
G	14	L		REV PER OG3A-0256-04	08APR04	JR	TM



STAMPING DETAIL

- 1 FOR9.14 [.360] MAX WIRE INSULATION DIA.
- 2 SUPERSEDED BY 53234-1
- 3 MATERIAL: BODY; COPPER PER ASTM B152 INSULATION; PVC COLOR: TRANSLUCENT
- 4 FINISH: BODY; TIN PLATE PER ASTM B545

AMP WIRE RANGE	Listed	LR7189 Certified
22-12 AWG STRANDED	22-12 AWG STRANDED	22-12 AWG STRANDED



100	LOOSE PC,BOX	8-53234-1	2
250	LOOSE PIECE	53234-1	
QTY	DESCRIPTION	PART NO	

<b>AMP INCORPORATED</b> <b>CUSTOMER SERVICE SYSTEMS</b>		MAX RECOMMENDED OPERATING TEMPERATURE: 105° C MAX	THIS DRAWING IS A CONTROLLED DOCUMENT.		DWN G KRUPER 1/15/93 CHK R HERSEY 1/15/93 APVD M ELLIS 1/15/93	Tyco Electronics Corporation Harrisburg, PA 17105
FOR ADDITIONAL PRODUCT INFORMATION OR COPIES OF DRAWINGS AND TECHNICAL DOCUMENTS 1-800-522-6752	PRODUCT INFORMATION CENTER 1-800-522-6752	VOLTAGE RATING: 600V MAX (BUILDING WIRING) 1000V MAX (FIXTURES & SIGNS)	DIMENSIONS: mm [ INCHES ]	TOLERANCES UNLESS OTHERWISE SPECIFIED: 0 PLC ± - 1 PLC ± - 2 PLC ± 0.20[.008] 3 PLC ± - 4 PLC ± - ANGLES ± -	NAME SPLICE, CLOSED END, WIRE SIZE, 22-12 AWG	RESTRICTED TO
FOR APPLICATION TOOLING ASSISTANCE CENTER 1-800-722-1111	TOOLING INFORMATION 1-800-722-1111	CIRCULAR MIL AREA: 1.65-5.78mm² [3248-11400] STRANDED		MATERIAL - 3	FINISH - 4	SIZE CAGE CODE DRAWING NO A3 00779 C-53234
FOR ORDER ENTRY 1-800-526-5142	THIS DRAWING IS A CONTROLLED DOCUMENT FOR AMP INCORPORATED. IT IS SUBJECT TO CHANGE AND THE CONTROLLING ENGINEERING ORGANIZATION SHOULD BE CONTACTED FOR THE LATEST REVISION.		CUSTOMER DRAWING		WEIGHT -	SCALE 2:1 SHEET 1 OF 1 REV L

AMP 1470-19 REV 31MAR2000