

4

3

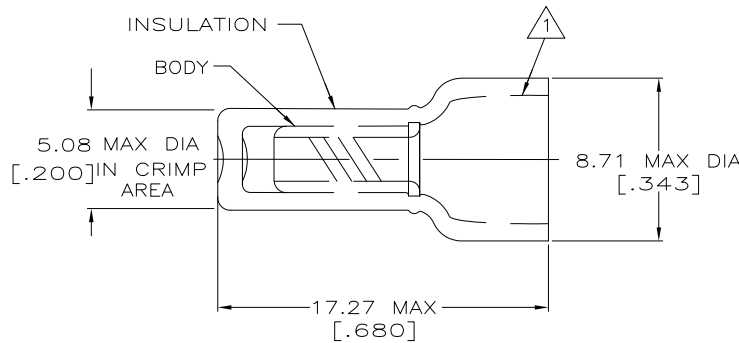
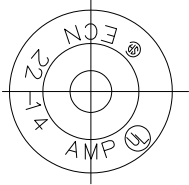
2

1

THIS DRAWING IS UNPUBLISHED. RELEASED FOR PUBLICATION
 © COPYRIGHT - By - ALL RIGHTS RESERVED.

LOC	DIST	REVISIONS			
P	LTR	DESCRIPTION	DATE	DWN	APVD
G	14				
		AJ1 REVISED PER ECO-11-004820	11MAR11	RK	HMR

AMP WIRE RANGE	Listed FILE E13288	LR7189 Certified
22-14 AWG SOLID OR STRANDED	22-14 AWG SOLID OR STRANDED	22-14 AWG SOLID OR STRANDED



- 1 FOR 6.35 [.250] MAX WIRE INSULATION DIA
- 2 SUPERSEDED BY 35115
- 3 SUPERSEDED BY 8-35115-5
- 4 MATERIAL, BODY, COPPER INSULATION, NYLON
- 5 FINISH, BODY, TIN PLATE ASTM B545 INSULATION, COLOR NATURAL

25	LOOSE PC,BAG	8-35115-5
5	LOOSE PC,BLS	8-35115-4 ³
100	LOOSE PC,BOX	8-35115-1
10000	SPECIAL PKG	1-35115-2 ²
2500	TAPE MOUNTED	1-35115-0
1000	LOOSE PC,BOX	35115
QTY	DESCRIPTION	PART NO

AMP INCORPORATED CUSTOMER SERVICE SYSTEMS		MAX RECOMMENDED OPERATING TEMPERATURE: 105° C MAX	THIS DRAWING IS A CONTROLLED DOCUMENT.		DWN JR RUTH 23MAR04 CHK T MICHELUTTI 23MAR04 APVD T MICHELUTTI 23MAR04	TE Connectivity		
FOR ADDITIONAL PRODUCT INFORMATION OR COPIES OF DRAWINGS AND TECHNICAL DOCUMENTS PRODUCT INFORMATION CENTER 1-800-522-6752	FOR APPLICATION TOOLING ASSISTANCE CENTER TOOLING INFORMATION 1-800-722-1111	VOLTAGE RATING: 300V MAX	DIMENSIONS: INCHES	TOLERANCES UNLESS OTHERWISE SPECIFIED: 0 PLC ± - 1 PLC ± - 2 PLC ± 0.20[.008] 3 PLC ± - 4 PLC ± - ANGLES ± -	NAME SPLICE, WIRE, CLOSED END			RESTRICTED TO
FOR ORDER ENTRY 1-800-526-5142		CIRCULAR MIL AREA: 0.26-2.62mm²[509-5,180] SOLID OR STRANDED	MATERIAL ⁴	FINISH ⁵	SIZE A3 CAGE CODE 00779 DRAWING NO C-35115	SCALE 2:1 SHEET 1 OF 1 REV AJ1		