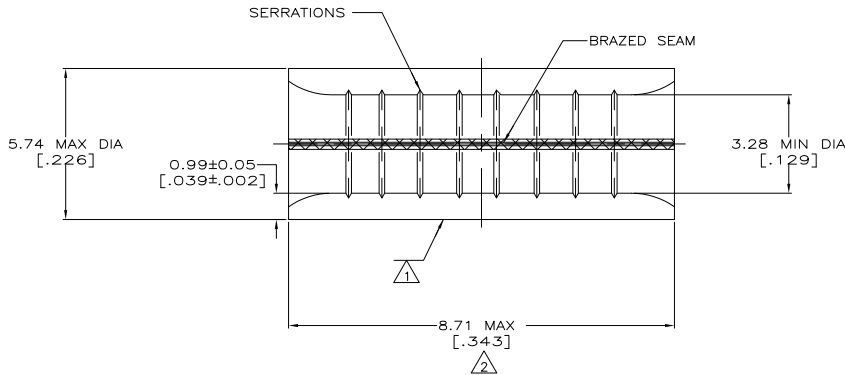


THE DRAWING IS UNPUBLISHED. RELEASED FOR PUBLICATION. ALL RIGHTS RESERVED.

LOC	DEF	REVISIONS		
		DESCRIPTION	DATE	BY
G	14			
	PS	REVISED PER ECO-11-004820	11MAR11	RK HMR

AMP
WIRE RANGE
12-10 AWG
SOLID OR STRANDED

- ① STAMP AMP 12-10* APPROX AS SHOWN
- ② MAXIMUM LENGTH DOES NOT INCLUDE MANUFACTURING TABS
- ③ IN PLATE .00254[.000100] MIN THK PER MIL-T-10727
- ④ BLACK OXIDE PER MIL-F-495
- ⑤ UL LISTED E13288, 12-10 AWG STRANDED.
- ⑥ MATERIAL; COPPER PER ASTM B-152 ANNEALED
- ⑦ FINISH: TIN/LEAD (60/40) PLATE, .000100 MIN THK PER SAE-AMS-P-81728
- ⑧ CSA CERTIFIED LR7189, 12-10 AWG SOLID OR STRANDED
- ⑨ PRELIMINARY - NOT FOR PRODUCTION



⑤ ⑧	③	10	LOOSE PIECE, BAG	⑨ 8-34138-3
⑤ ⑧	③	50	LOOSE PIECE, BOX	8-34138-2
----	④	----	LOOSE PIECE	34138-3
----	④	----	LOOSE PIECE	34138-1
⑤ ⑧	③	----	LOOSE PIECE	34138
APPROVALS	FINISH	QTY	PACKAGE TYPE	PART NO

AMP INCORPORATED CUSTOMER SERVICE SYSTEMS		MAX RECOMMENDED OPERATING TEMPERATURE: 170° C
FOR ADDITIONAL PRODUCT INFORMATION OR COPIES OF DRAWINGS AND TECHNICAL DOCUMENTS	PRODUCT INFORMATION CENTER 1-800-522-6752	VOLTAGE RATING: N/A
FOR APPLICATION TOOLING INFORMATION	TOOLING ASSISTANCE CENTER 1-800-722-1111	CIRCULAR MIL AREA: 2.62-6.64mm ² [5,180-13,100] STRANDED
FOR ORDER ENTRY	1-800-526-5142	THIS DRAWING IS A CONTROLLED DOCUMENT FOR AMP INCORPORATED. IT IS SUBJECT TO CHANGE AND THE CONTROLLING ENGINEERING ORGANIZATION SHOULD BE CONTACTED FOR THE LATEST REVISION.

THIS DRAWING IS A CONTROLLED DOCUMENT.		BY TA BRINKMAN 4-14-93	DATE 4-14-93	TE Connectivity
DIMENSIONS: (MM) [INCHES]		CHK DA PATTERSON 4-14-93	DATE 4-14-93	NAME
TOLERANCES UNLESS OTHERWISE SPECIFIED:		APP'D DA PATTERSON 4-14-93	DATE 4-14-93	NAME
0 PUC ±	1 PUC ±	2 PUC ±	3 PUC ±	4 PUC ±
5 PUC ±	10 PUC ±	15 PUC ±	20 PUC ±	30 PUC ±
40 PUC ±	50 PUC ±	63 PUC ±	80 PUC ±	100 PUC ±
MATERIAL		FINISH	WEIGHT	SIZE
- ⑥		SEE NOTES	CUSTOMER DRAWING	A2 00779 ©=34138
SCALE		10:1	SHEET	1 of 1
RESTRICTED TO				RE P5

1471-9 (5/11)

34138