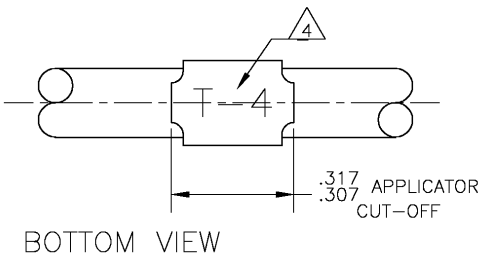
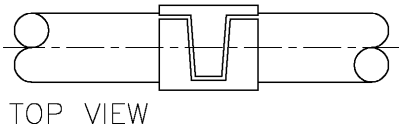
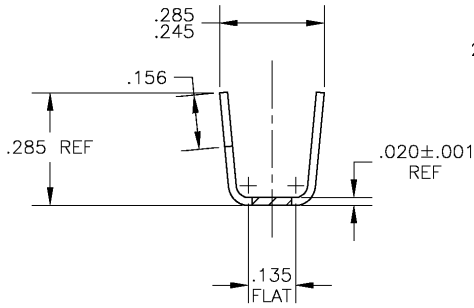
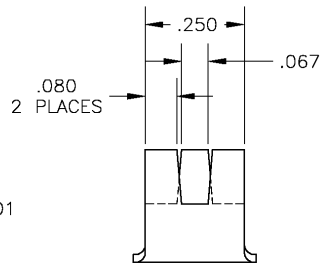
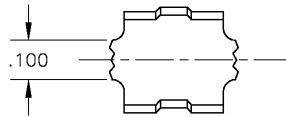


THIS DRAWING IS UNPUBLISHED. RELEASED FOR PUBLICATION  
 © COPYRIGHT 1972 BY TYCO ELECTRONICS CORPORATION. ALL RIGHTS RESERVED.

LOC	DIST	REVISIONS				
P	LTR	DESCRIPTION	DATE	DWN	APVD	
AF	50	M	REL PER OG3A-0714-04	14SEP04	JR	GP



- 1 CONTINUOUS STRIP ON REELS.
- △ 2 RED ANODIZED PER MIL STD #104A.
- △ 3 YELLOW ANODIZED PER MIL STD #104A.
- △ 4 ALPHANUMERIC CODING MAY BE STAMPED IN THIS AREA IN APPLICATOR. CUSTOMER TO SPECIFY WHEN ORDERING. (1 - 3 DIGITS OR LETTERS)
- △ 5 SPLICE FREE REELING

	-	.125-.220 DIA	△ 5 41276-3
OBSOLETE	△ 3	.125-.220 DIA	41276-2
OBSOLETE	△ 2	.125-.220 DIA	41276-1
	-	.125-.220 DIA	41276
	FINISH	INSULATION RANGE	PART NUMBER

THIS DRAWING IS A CONTROLLED DOCUMENT.		DWN MICHAEL S. FEHER 17SEP2002	Tyco Electronics Corporation Harrisburg, PA 17105-3608	
DIMENSIONS: INCHES		CHK GARY PORTA 17SEP2002	NAME	
TOLERANCES UNLESS OTHERWISE SPECIFIED:		APVD GARY PORTA 17SEP2002	IDENTIFICATION BAND	
0 PLC ± -		PRODUCT SPEC	-	
1 PLC ± -		APPLICATION SPEC	-	
2 PLC ± -		WEIGHT	-	
3 PLC ± .010		MATERIAL H14 ALUMINUM	SIZE A3	CAGE CODE 00779
4 PLC ± -		FINISH SEE TABLE	DRAWING NO C-41276	RESTRICTED TO
ANGLES ± 1°		CUSTOMER DRAWING	SCALE 4:1	SHEET 1 of 1
			REV M	