

4

3

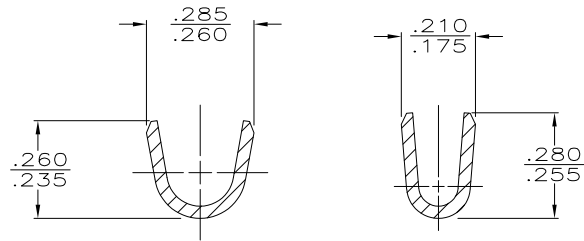
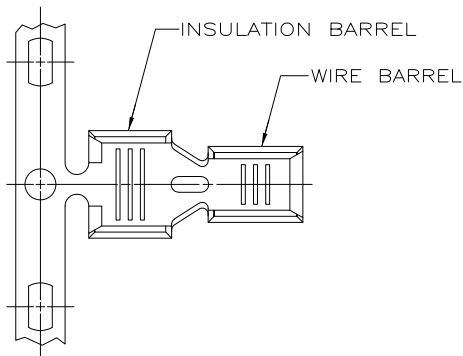
2

1

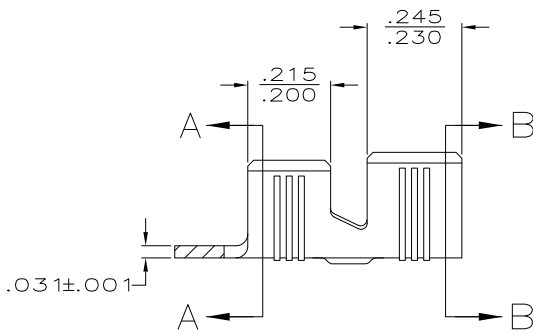
THIS DRAWING IS UNPUBLISHED. RELEASED FOR PUBLICATION
 © COPYRIGHT - BY TYCO ELECTRONICS CORPORATION. ALL INTERNATIONAL RIGHTS RESERVED.

LOC	DIST	REVISIONS			
P	LTR	DESCRIPTION	DATE	DWN	APVD
AF	50	L	REVISED PER ECR-08-030838	30MAR09	HMR GP

1 PRODUCT PROVIDED IN STRIP FORM ON REELS,
 BREAKS MAY BE PRESENT.



SECTION A-A SECTION B-B



61300-1
 PART NO

THIS DRAWING IS A CONTROLLED DOCUMENT.		DWN M S FEHER 9/8/88	Tyco Electronics Corporation Harrisburg, PA 17105-3608													
DIMENSIONS: INCHES		CHK J R RUTH 9/12/88	NAME J R RUTH 9/12/88													
TOLERANCES UNLESS OTHERWISE SPECIFIED:		PRODUCT SPEC														
<table border="1"> <tr><td>0 PLC</td><td>± -</td></tr> <tr><td>1 PLC</td><td>± -</td></tr> <tr><td>2 PLC</td><td>± -</td></tr> <tr><td>3 PLC</td><td>± .010</td></tr> <tr><td>4 PLC</td><td>± -</td></tr> <tr><td>ANGLES</td><td>± -</td></tr> </table>		0 PLC	± -	1 PLC	± -	2 PLC	± -	3 PLC	± .010	4 PLC	± -	ANGLES	± -	APPLICATION SPEC		
0 PLC	± -															
1 PLC	± -															
2 PLC	± -															
3 PLC	± .010															
4 PLC	± -															
ANGLES	± -															
MATERIAL STEEL	FINISH TIN	WEIGHT -	SIZE A3	CAGE CODE 00779												
		DRAWING NO 61300	RESTRICTED TO													
CUSTOMER DRAWING		SCALE 4:1	SHEET 1 of 1	REV L												