

4

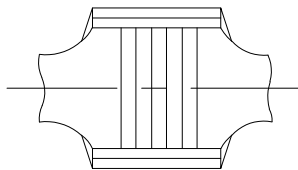
3

2

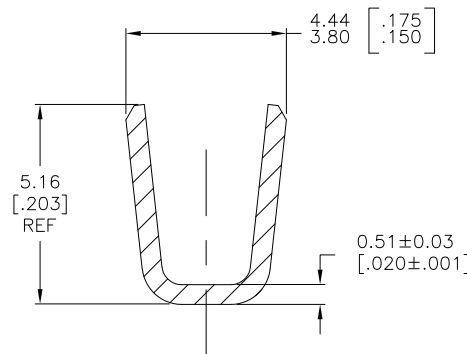
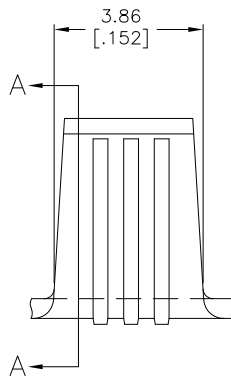
1

THIS DRAWING IS UNPUBLISHED. RELEASED FOR PUBLICATION  
 © COPYRIGHT BY TYCO ELECTRONICS CORPORATION. ALL RIGHTS RESERVED.

LOC	DIST	REVISIONS				
P	LTR	DESCRIPTION	DATE	DWN	APVD	
AF	50					
	P6	REVISED PER ECR-07-028917	04DEC07	HMR	GP	



- 1 PRODUCT PROVIDED IN STRIP FORM ON REELS; BREAKS MAY BE PRESENT.
- 2 WIRE RANGE: 3300 TO 9000 CMA
- 3 CRIMP WIDTH: .140 F TYPE  
 CRIMP HEIGHT  $(\pm .002) = (\text{TOTAL CMA} + 14,600) / 223,200$   
 FOR APPLICATOR INFORMATION CALL: 1-800-722-1111  
 FOR PRODUCT INFORMATION CALL: 1-800-522-6752



SECTION A-A

CU-NI-SI C70260	40509-1
BRASS C26000	40509
MATERIAL	PART NO

THIS DRAWING IS A CONTROLLED DOCUMENT.		DWN RAGHAVENDRA 21DEC06	Tyco Electronics Tyco Electronics Corporation Harrisburg, PA 17105-3608	
DIMENSIONS: mm [INCHES]		CHK G.D.PORTA 04JAN07	NAME G.D.PORTA 04JAN07	
TOLEANCES UNLESS OTHERWISE SPECIFIED:		PRODUCT SPEC	SPLICE	
0 PLC ± -		APPLICATION SPEC	RESTRICTED TO	
1 PLC ± -		WEIGHT	SIZE A3	CAGE CODE 00779
2 PLC ± -			DRAWING NO C-40509	
3 PLC ± 0.25 [.010]				
4 PLC ± -				
ANGLES ± -				
MATERIAL SEE TABLE	FINISH NONE	CUSTOMER DRAWING	SCALE 10:1	SHEET 1 of 1
				REV P6

AMP 1470-19 REV 31MAR2000