

4

3

2

1

THIS DRAWING IS UNPUBLISHED.

RELEASED FOR PUBLICATION

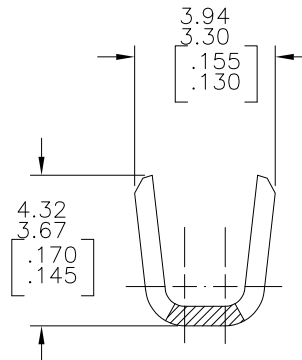
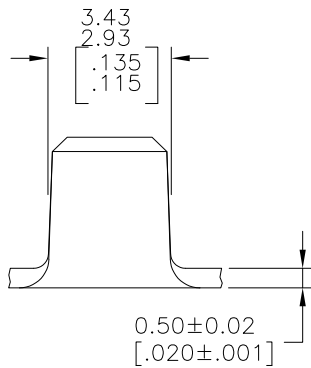
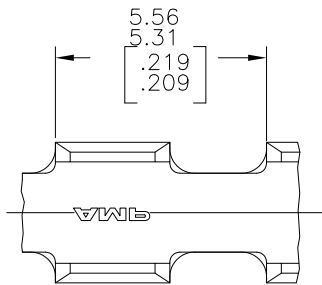
COPYRIGHT - BY TYCO ELECTRONICS CORPORATION.

ALL INTERNATIONAL RIGHTS RESERVED.

LOC  
AF 50

REVISIONS

P	LTR	DESCRIPTION	DATE	DWN	APVD
	L1	REVISED PER ECR-11-001036	21JAN11	HMR	GJ



1 PRODUCT PROVIDED IN STRIP FORM ON REELS;  
BREAKS MAY BE PRESENT.

2 WIRE RANGE FOR NEW APPLICATIONS : 1.27-2.38mm<sup>2</sup>  
[2500-4700 CMA] (WIRE RANGE APPROVED FOR  
APPLICATIONS IMPLEMENTED PRIOR TO 2005: 2048-4217 CMA).

3 CRIMP WIDTH: 3.05[.120] F TYPE. CRIMP HEIGHT IN INCHES  
(±.002)=(TOTAL CMA OF WIRES+12240/220000).

2	NONE	BRASS	60932-4
	TIN	STEEL	60932-2
WIRE SIZE CMA	FINISH	MATERIAL	PART NO.

THIS DRAWING IS A CONTROLLED DOCUMENT.

DIMENSIONS: mm [INCHES]	TOLERANCES UNLESS OTHERWISE SPECIFIED:
0 PLC	± -
1 PLC	± -
2 PLC	± 0.25[.010]
3 PLC	± -
4 PLC	± -
ANGLES	± -

MATERIAL  
SEE TABLEFINISH  
SEE TABLE

DWN DK SCHRUM 5/18/89	Tyco Electronics	Tyco Electronics Corporation Harrisburg, PA 17105-3608	
CHK JR RUTH 7/13/89			
APVD D SCHWENK 7/13/89	NAME	SPLICE	
PRODUCT SPEC	APPLICATION SPEC	SIZE	RESTRICTED TO
114-2088	114-2088	A3	
WEIGHT	CAGE CODE	DRAWING NO	
	00779	60932	
CUSTOMER DRAWING	SCALE	SHEET	REV
	10:1	1 OF 1	L1

1470-19 (1/08)