

4

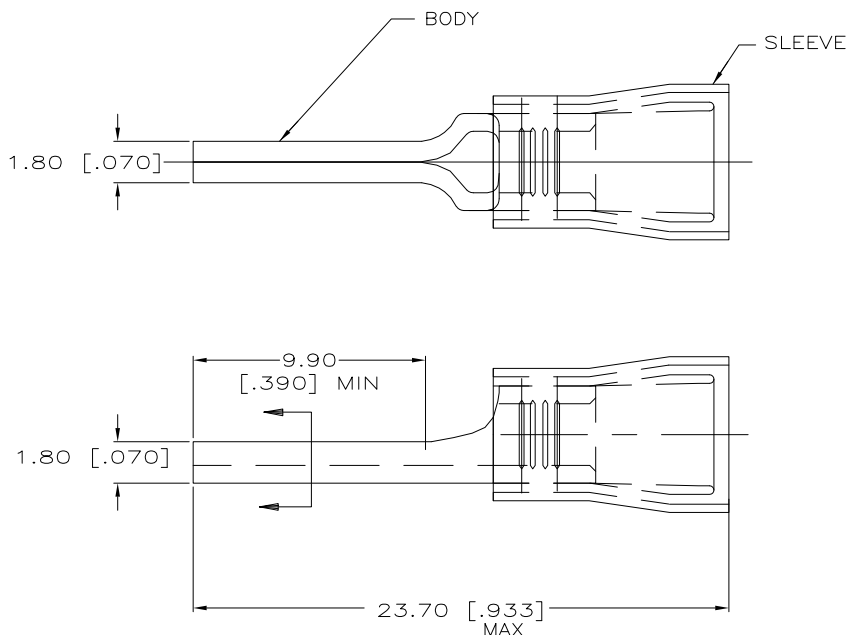
3

2

1

THIS DRAWING IS UNPUBLISHED. RELEASED FOR PUBLICATION  
 © COPYRIGHT - BY TYCO ELECTRONICS CORPORATION. ALL RIGHTS RESERVED.

LOC	DIST	REVISIONS			
P	LTR	DESCRIPTION	DATE	DWN	APVD
G	14	F	REV PER ECR 07-023647	12OCT07	JR TM



<b>AMP</b> WIRE RANGE	FILE E13288
16-14 AWG STRANDED	16-14 AWG STRANDED

- 1 WIRE INSULATION DIA.  
2.92-4.32 [.115-.170] DIA.
- 2 MATERIAL: BODY - CU PER ASTM B152  
SLEEVE - CU PER ASTM B152  
INSULATION - NYLON
- 3 FINISH: BODY - TIN PL. PER ASTM B545  
SLEEVE - TIN PL. PER ASTM B545  
INSULATION - COLOR - BLUE
- 4 LOOSE PIECE P/N 165172



4000	ON TAPE	696274-2
QTY	PACKAGE TYPE	PART NO

AMP INCORPORATED CUSTOMER SERVICE SYSTEMS		MAX RECOMMENDED OPERATING TEMPERATURE: 105°C [221° F]	THIS DRAWING IS A CONTROLLED DOCUMENT.		DWN JR RUTH	01DEC00	Tyco Electronics Corporation Harrisburg, PA 17105-3608						
FOR ADDITIONAL PRODUCT INFORMATION OR COPIES OF DRAWINGS AND TECHNICAL DOCUMENTS	PRODUCT INFORMATION CENTER 1-800-522-6752	VOLTAGE RATING: 300V MAX	DIMENSIONS: mm [INCHES]	TOLERANCES UNLESS OTHERWISE SPECIFIED:	CHK T MICHELUTTI	01DEC00	NAME						
FOR APPLICATION	TOOLING ASSISTANCE CENTER 1-800-722-1111	CIRCULAR MIL AREA: 1.0-2.6mm <sup>2</sup> [1,974-5,131] STRANDED		0 PLC ± - 1 PLC ± - 2 PLC ± 0.20 [.008] 3 PLC ± - 4 PLC ± - ANGLES ± -	APVD T MICHELUTTI	01DEC00	PRODUCT SPEC						
TOOLING INFORMATION	1-800-526-5142	THIS DRAWING IS A CONTROLLED DOCUMENT FOR AMP INCORPORATED. IT IS SUBJECT TO CHANGE AND THE CONTROLLING ENGINEERING ORGANIZATION SHOULD BE CONTACTED FOR THE LATEST REVISION.	MATERIAL	FINISH	APPLICATION SPEC		SIZE	CAGE CODE	DRAWING NO	RESTRICTED TO			
FOR ORDER ENTRY	1-800-526-5142		- 2	- 3	WEIGHT		A3	00779	696274				
CUSTOMER DRAWING								SCALE	6:1	SHEET	1 OF 1	REV	F

AMP 1470-19 REV 31MAR2000