

4

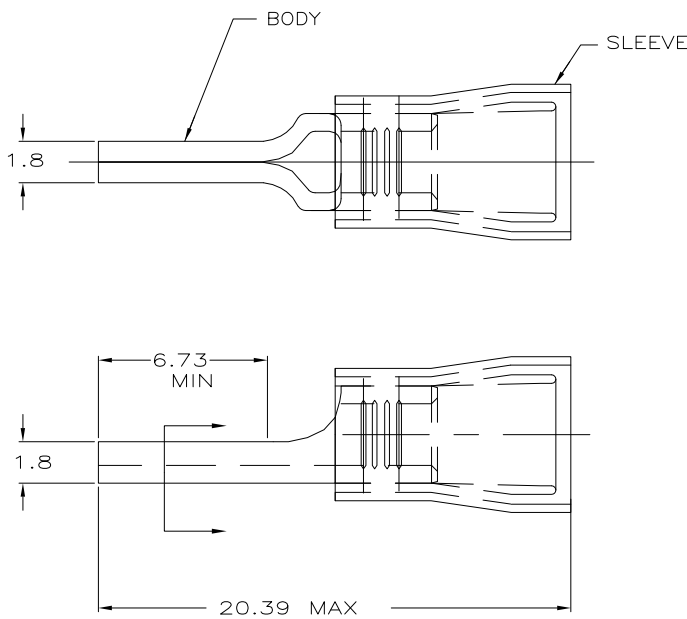
3

2

1

THIS DRAWING IS UNPUBLISHED. RELEASED FOR PUBLICATION
 © COPYRIGHT - BY TYCO ELECTRONICS CORPORATION. ALL RIGHTS RESERVED.

LOC	DIST	REVISIONS			
P	LTR	DESCRIPTION	DATE	DWN	APVD
G	14				
	D	REV PER ECR 07-023647	12OCT07	JR	TM



AMP WIRE RANGE	FILE E13288
16-14 AWG STRANDED	16-14 AWG STRANDED

- 1 WIRE INSULATION DIA. 2.92-4.32 DIA.
- 2 LOOSE PIECE P/N 165046
- 3 BODY : TIN PLATE PER ASTM B545
SLEEVE: COLOR - BLUE,
- 4 BODY: COPPER PER ASTM B152
SLEEVE: PVC

4000	ON TAPE	696394-2
QTY	PACKAGE TYPE	PART NO

AMP INCORPORATED
CUSTOMER SERVICE SYSTEMS

FOR ADDITIONAL PRODUCT INFORMATION OR COPIES OF DRAWINGS AND TECHNICAL DOCUMENTS
 PRODUCT INFORMATION CENTER
 1-800-522-6752

FOR APPLICATION TOOLING ASSISTANCE CENTER
 TOOLING INFORMATION
 1-800-722-1111

FOR ORDER ENTRY
 1-800-526-5142

MAX RECOMMENDED OPERATING TEMPERATURE:
 105°C [221° F]

VOLTAGE RATING:
 300V MAX

CIRCULAR MIL AREA:
 1.0-2.6mm² [1974-5131]
 STRANDED

THIS DRAWING IS A CONTROLLED DOCUMENT FOR AMP INCORPORATED. IT IS SUBJECT TO CHANGE AND THE CONTROLLING ENGINEERING ORGANIZATION SHOULD BE CONTACTED FOR THE LATEST REVISION.

THIS DRAWING IS A CONTROLLED DOCUMENT.

DIMENSIONS:	TOLERANCES UNLESS OTHERWISE SPECIFIED:
mm	0 PLC ± -
	1 PLC ± -
	2 PLC ± 0.20
	3 PLC ± -
	4 PLC ± -
	ANGLES ± -

MATERIAL: - 4
 FINISH: - 3

DWN JR RUTH 02JAN02	Tyco Electronics Corporation Harrisburg, PA 17105-3608	
CHK T MICHELUTTI 02JAN02	NAME	
APVD T MICHELUTTI 02JAN02	TERMINAL, WIRE PIN, PIDG WIRE SIZE, 16-14 AWG	
PRODUCT SPEC	SIZE	RESTRICTED TO
APPLICATION SPEC	CAGE CODE	
WEIGHT	DRAWING NO	
	A300779	
CUSTOMER DRAWING	DRAWING NO	
	C-696394	
	SCALE	SHEET
	6:1	1 OF 1
		REV
		D

AMP 1470-19 REV 31MAR2000