

4

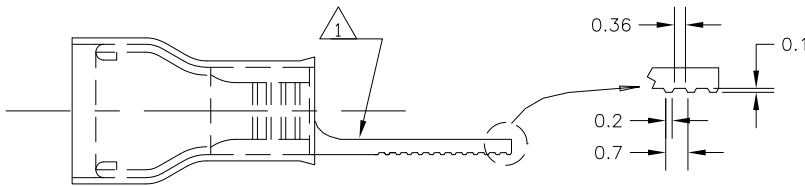
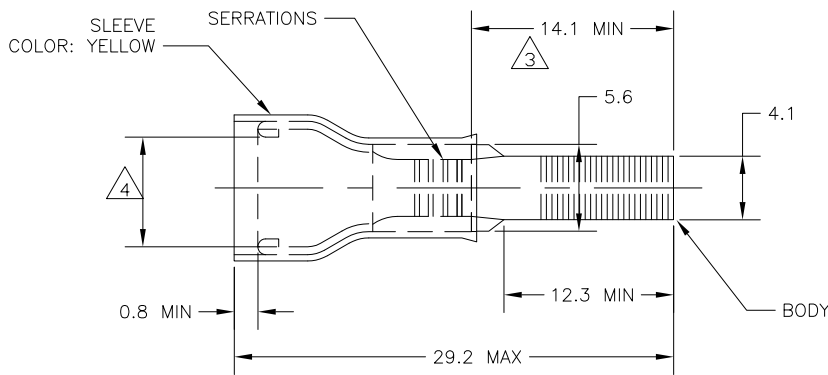
3

2

1

THIS DRAWING IS UNPUBLISHED. RELEASED FOR PUBLICATION  
 © COPYRIGHT - BY TYCO ELECTRONICS CORPORATION. ALL RIGHTS RESERVED.

LOC	DIST	REVISIONS				
P	LTR	DESCRIPTION	DATE	DWN	APVD	
G	14					
	D1	REV PER ECR 07-015095	25JUN07	JR	TM	



- 1 STAMP "AMP 12-10\*", LOCATION APPROX AS SHOWN.
- 2 TONGUE THICKNESS IS 1.0±0.05
- 3 APPLIES TO EDGE OF METAL WIRE BARREL TO CENTER OF STUD HOLE.
- 4 WIRE INSULATION DIA RANGE 3.8-6.4
- 5 BODY - COPPER PER ASTM B-152 SLEEVE - COPPER PER ASTM B-152 INSULATION - NYLON
- 6 BODY - TIN PL PER ASTM B-545 SLEEVE - TIN PL PER ASTM B-545 INSULATION - COLOR - YELLOW
- 7 105°C MAX OPERATING TEMPERATURE.
- 8 300 VOLT MAX
- 9 2.62-6.64mm<sup>2</sup> [5,180 - 13,100 CMA] SOLID OR STRANDED

500	LOOSE PIECE	131332
QTY	PACKAGE TYPE	PART NO

THIS DRAWING IS A CONTROLLED DOCUMENT.		DWN jr_ruth 13APR07	Tyco Electronics Corporation Harrisburg, PA 17105-3608	
DIMENSIONS: mm INCHES:		CHK T MICHELUTTI 13APR07	NAME T MICHELUTTI 13APR07	
TOLERANCES UNLESS OTHERWISE SPECIFIED:		PRODUCT SPEC	TERMINAL, WIRE PIN, PIDG, WIRE SIZE 12-10	
0 PLC	± -	APPLICATION SPEC	RESTRICTED TO	
1 PLC	± 0.2	WEIGHT	SIZE	CAGE CODE
2 PLC	± -		A3	00779
3 PLC	± -		DRAWING NO	131332
4 PLC	± -		SCALE 4:1 SHEET 1 OF 1 REV D1	
ANGLES	± 5°	CUSTOMER DRAWING		
MATERIAL	FINISH			
-5	-6			