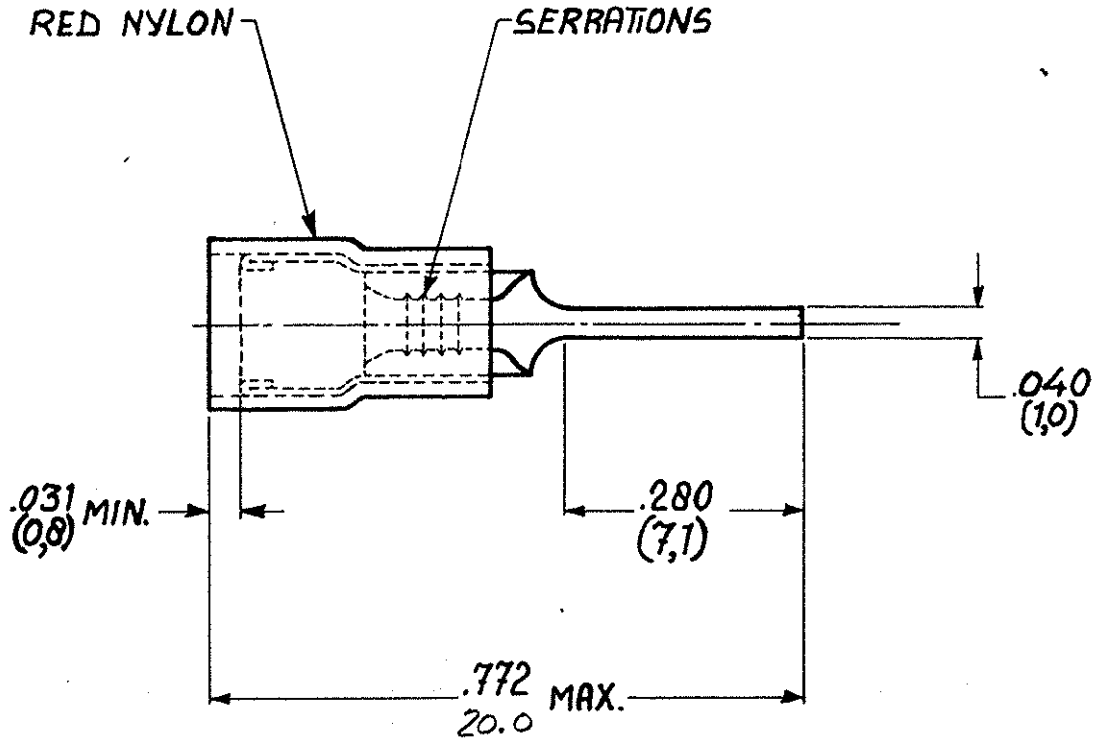


DRAWING MADE IN AMERICAN PROJECTION

NUMBER C-165446



1-TAB MATERIAL-THICKNESS .033(0.8) MAX

INCHES DIMENSIONS IN (M.M.) DO NOT SCALE PRINT

CUSTOMER COPY FOR REFERENCE ONLY

©1971 BY AMP-HOLLAND N.V. ALL RIGHTS RESERVED A-MP PRODUCTS COVERED BY PATENTS AND/OR PATENTS PENDING.



AMP-HOLLAND N.V.
HERTOGENBOSCH
HOLLAND

| | | |
|---|---|-------------------------------|
| WIRE-RANGE 22-16 AWG 0.25-1.6 mm ² | INSUL.-RANGE 105-140 (2.7-3.6) DIA. | FIRST-USED TEL ±.008 (0.2) |
|---|---|-------------------------------|

| | | |
|-----------|----------|---------|
| 165446 | COPPER | TIN |
| ORDER NO. | MATERIAL | PLATING |

| | | | | |
|--------------|----------|-----------|----------------|----------|
| SCALE 4:1 | LOC H | SIZE A | NO C-165446 | REV A |
|--------------|----------|-----------|----------------|----------|

| | | | |
|-------------------|---------------|-----|-----------------|
| DR A. J. Dwyer | DATE 10-31 | DE | DATE |
| CHK | DATE | APP | DATE 11-2-71 |

NAME PIDG NYLON TAB